

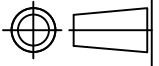


SHREENATH ENGINEERING

PLOT NO-B/22, ZAVERI ESTATE,
NR. KATHWADA G.I.D.C., KATHWADA-SINGARVA ROAD,
KATHWADA, AHMEDABAD-382 430 , GUJARAT, INDIA.
Tele fax :- +91 9825530462, 9979082211
E-mail: neconvalves@yahoo.com / Website : www.neconvalves.com

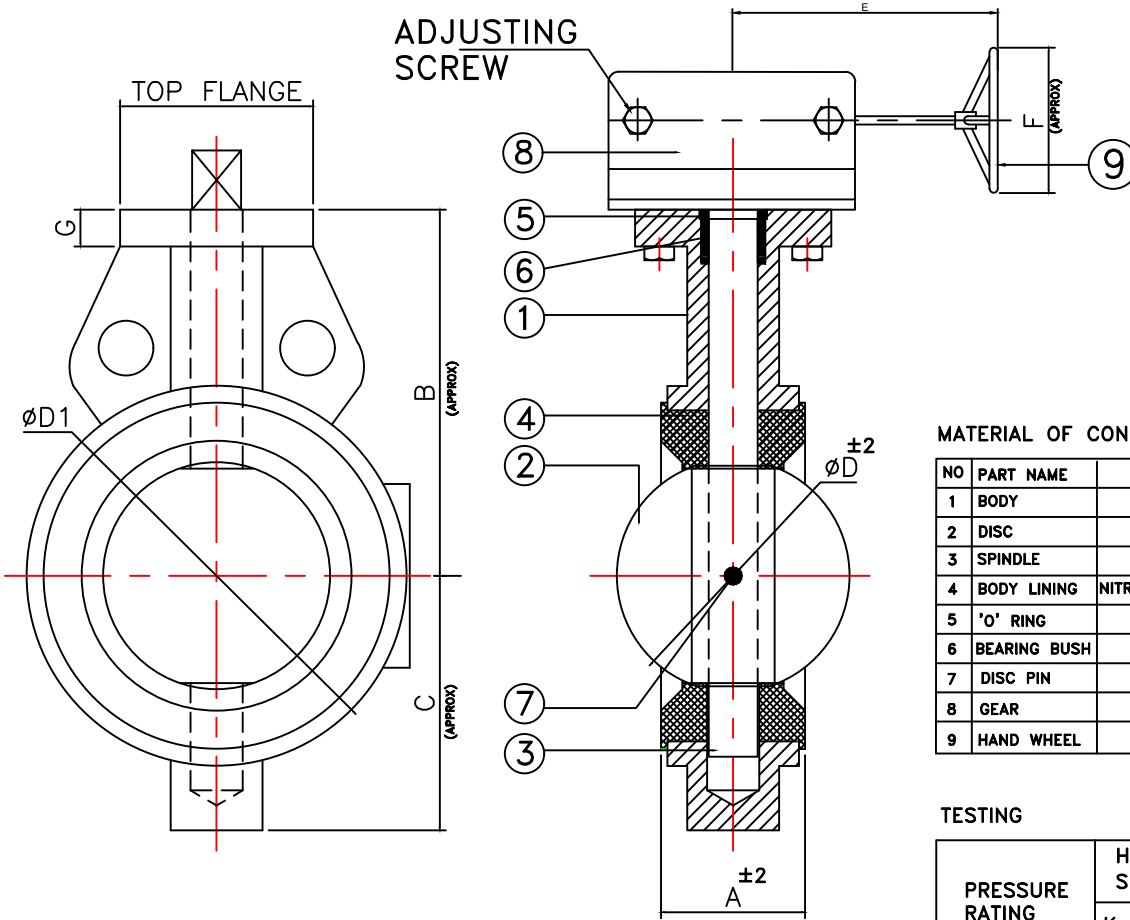
DRN
ABDUL

DATE
10/06/2024



WAFER TYPE BUTTER FLY VALVE.

DRG. NO : SE/BFV/GO/80



MATERIAL OF CONSTRUCTION

NO	PART NAME	MATERIAL
1	BODY	CAST IRON/SG IRON
2	DISC	CI/SGI/WCB/CF8/CF8M/CF3/CF3M
3	SPINDLE	SS 410/304/316/304L/316L
4	BODY LINING	NITRILE/E.P.D.M./SILICON/VITON/HYPALON
5	'O' RING	NITRILE / E.P.D.M.
6	BEARING BUSH	PTFE
7	DISC PIN	SS.304 / SS.316
8	GEAR	CAST IRON
9	HAND WHEEL	MS FABRICATED

TESTING

PRESSURE RATING	HYDROSTATIC SHELL TEST		HYDROSTATIC SEAT TEST	
	Kg/CM2	PSI	Kg/CM2	PSI
PN16	22	310	16	225
PN10	15	210	10	140

NOTE : ALL DIMENSION ARE IN MM.

SIZE		A	B	C	D	D1	E	F	G	TOPFLANGE MOUNTING (I.S.O 5211)
MM	INCH									
80	3"	46	118	85	76	125	165	180	15	F05

CONFORMITY TO CODES & STANDARDS

- 1) GENERAL DESIGN & MANUFACTURE :- BS 5155 / API 609 / EN 593 / IS 13095
- 2) VALVE FACE TO FACE DIMENSION :- BS 5155 / ISO 5752 / API 609
- 3) TOP FLANGE DRILLING :- ISO 5211
- 4) VALVE INSPECTION & TESTING :- BS 6755 Part - I / API 598 / EN 12266-1
- 5) FLANGE STANDARD CONFORMITY :- ANSI 150 / ANSI 125 / BS 10 TAB D & E
IS 6392 NP 0.6 / 1.0 / 1.6

THIS DRAWING IS PROPERTY OF SHREENATH ENGINEERING.
SHREENATH ENGINEERING RESERVES RIGHTS OF USE,CHANGE & MODIFY PRODUCT DESIGN OR PRODUCT WITHOUT PRIOR NOTICE.

CHECKED BY :-

APPROVED :-