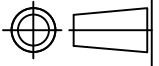


SHREENATH ENGINEERING

PLOT NO-B/22, ZAVERI ESTATE,
NR. KATHWADA G.I.D.C., KATHWADA-SINGARVA ROAD,
KATHWADA, AHMEDABAD-382 430, GUJARAT, INDIA.
MOBILE :- +91 9825530462, 9979082211
E-mail: neconvalves@yahoo.com / Website : www.neconvalves.com

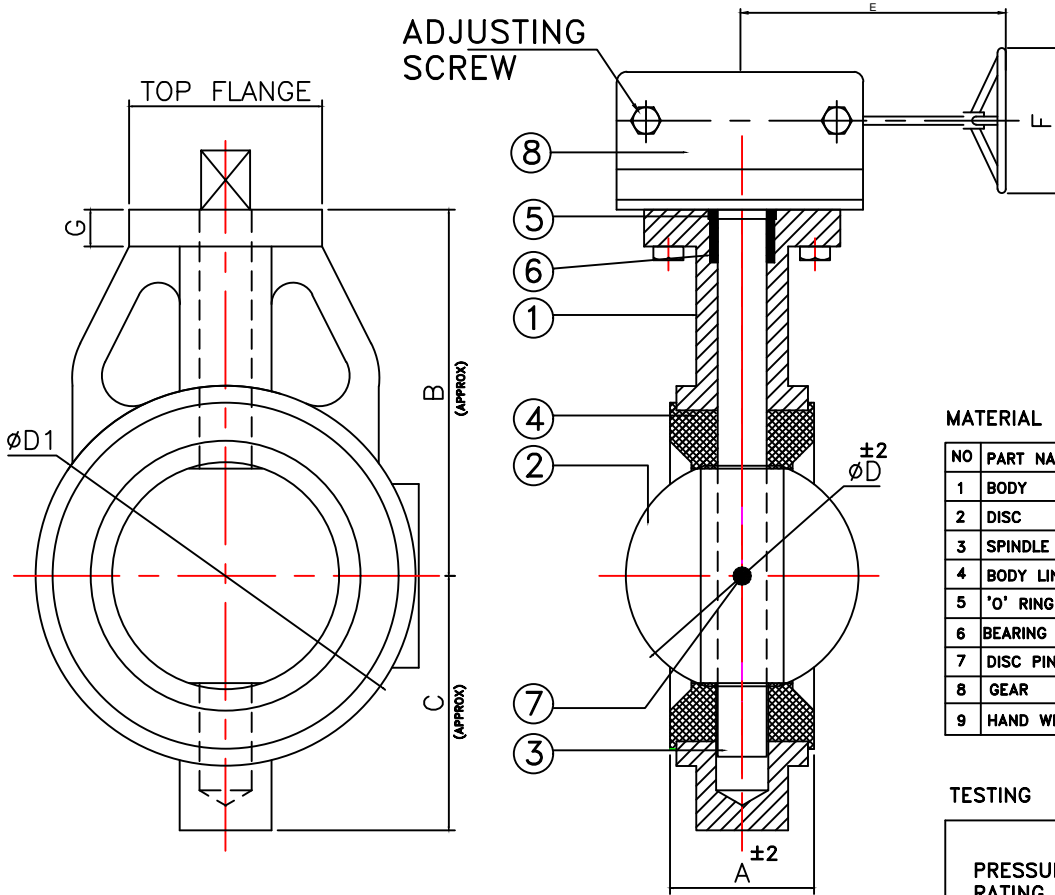
DRN
ABDUL

DATE
10/06/2024



WAFER TYPE BUTTER FLY VALVE

DRG. NO : SE/BFV/GO/100-150



MATERIAL OF CONSTRUCTION

| NO | PART NAME | MATERIAL |
|----|--------------|--|
| 1 | BODY | CAST IRON/SG IRON |
| 2 | DISC | CI/SGI/WCB/CF8/CF8M/CF3/CF3M |
| 3 | SPINDLE | SS 410/304/316/304L/316L |
| 4 | BODY LINING | NITRILE/E.P.D.M./SILICON/VITON/HYPALON |
| 5 | 'O' RING | E.P.D.M. |
| 6 | BEARING BUSH | PTFE |
| 7 | DISC PIN | SS.304 / SS.316 |
| 8 | GEAR | CAST IRON |
| 9 | HAND WHEEL | MS FABRICATED |

TESTING

| PRESSURE RATING | HYDROSTATIC SHELL TEST | | HYDROSTATIC SEAT TEST | |
|-----------------|------------------------|-----|-----------------------|-----|
| | Kg/CM2 | PSI | Kg/CM2 | PSI |
| PN16 | 22 | 310 | 16 | 225 |
| PN10 | 15 | 210 | 10 | 140 |

NOTE : ALL DIMENSION ARE IN MM.

| SIZE | | A | B | C | D | D1 | E | F | G | TOPFLANGE MOUNTING (I.S.O 5211) |
|------|------|----|-----|-----|-----|-----|-----|-----|----|---------------------------------|
| MM | INCH | | | | | | | | | |
| 100 | 4" | 52 | 148 | 102 | 100 | 155 | 165 | 180 | 15 | F05 |
| 125 | 5" | 56 | 168 | 115 | 125 | 176 | 170 | 200 | 15 | F05 |
| 150 | 6" | 56 | 180 | 130 | 150 | 205 | 170 | 200 | 15 | F07 |

CONFORMITY TO CODES & STANDARDS

- 1) GENERAL DESIGN & MANUFACTURE :- BS 5155 / API 609 / EN 593 / IS 13095
- 2) VALVE FACE TO FACE DIMENSION :- BS 5155 / ISO 5752 / API 609
- 3) TOP FLANGE DRILLING :- ISO 5211
- 4) VALVE INSPECTION & TESTING :- BS 6755 Part - I / API 598 / EN 12266-1
- 5) FLANGE STANDARD CONFORMITY :- ANSI 150 / ANSI 125 / BS 10 TAB D & E
IS 6392 NP 0.6 / 1.0 / 1.6

THIS DRAWING IS PROPERTY OF SHREENATH ENGINEERING.
SHREENATH ENGINEERING RESERVES RIGHTS OF USE,CHANGE & MODIFY PRODUCT DESIGN OR PRODUCT WITHOUT PRIOR NOTICE.

CHECKED BY :-

APPROVED :-