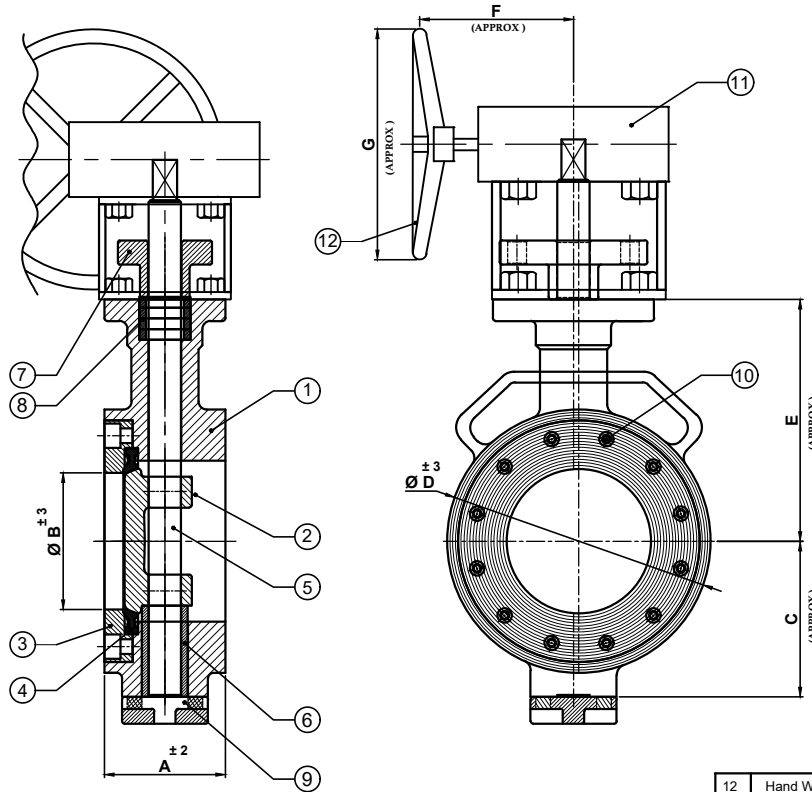




SHREENATH ENGINEERING

PLOT NO-B/22, ZAVERI ESTATE,
NR. KATHWADA G.I.D.C., KATHWADA-SINGARVA ROAD,
KATHWADA, AHMEDABAD-382 430, GUJARAT, INDIA.
mobile :- +91 9825530462, 9979082211
E-mail: neconvalves@yahoo.com / Website : www.neconvalves.com

DRN ABDUL	DATE 10/06/2024	
WAFER TYPE BUTTER FLY VALVE.		
DRG. NO : SE/WSDV/GO/80 - 300		



Double Eccentric Disc Design

Valve Size	A	ØB	C	ØD	E	F	G	FLANGE MOUNTING (I.S.O 5211)
3" (80mm)	48	72	70	131	120	163	171	F 05
4" (100mm)	54	100	86	159	134	163	171	F 05
5" (125mm)	57	123	105	188	154	165	200	F 07
6" (150mm)	57	143	120	219	170	165	200	F 07
8" (200mm)	63	192	145	272	200	180	250	F 07
10" (250mm)	72	240	175	325	230	240	250	F 10
12" (300mm)	83	290	215	385	270	240	350	F 10

12	Hand Wheel	M.S. Fabricated
11	Gear Box	Cast Iron
10	L.N. Bolt	S.S. 202 / S.S. 304
9	Bottom Cover	WCB / CF8
8	Gland Packing	PTFE
7	Gland	WCB / CF8
6	Shaft Bearing Bush	AISI 410 / 304 / 316
5	Shaft	AISI 410 / 304 / 316 / 304L / 316L
4	Seat Ring	PTFE / GFT / CFT
3	Retainer	WCB / CF8 / CF8M / CF3 / CF3M
2	Disc	CF8 / CF8M / CF3 / CF3M
1	Body	WCB / CF8 / CF8M / CF3 / CF3M
No.	Description	Material

TESTING

PRESSURE RATING	HYDROSTATIC SHELL TEST		HYDROSTATIC SEAT TEST	
	Kg/CM2	PSI	Kg/CM2	PSI
PN10	15	210	10	140
PN16	22	310	16	225

CONFORMITY TO CODES & STANDARDS

- DESIGN & MANUFACTURE :- API 609
- VALVE FACE TO FACE DIMENSION :- BS 5155 / API 609 Category B
- TOP FLANGE DRILLING :- ISO 5211
- VALVE INSPECTION & TESTING :- BS 6755 Part - I / API 598 / EN 12266-1
- FLANGE STANDARD CONFORMITY :- ANSI 150 / IS 6392 NP 1.0 / 1.6

THIS DRAWING IS PROPERTY OF SHREENATH ENGINEERING.
SHREENATH ENGINEERING RESERVES RIGHTS OF USE, CHANGE & MODIFY PRODUCT DESIGN OR PRODUCT WITHOUT PRIOR NOTICE.

CHECKED BY :-

APPROVED :-