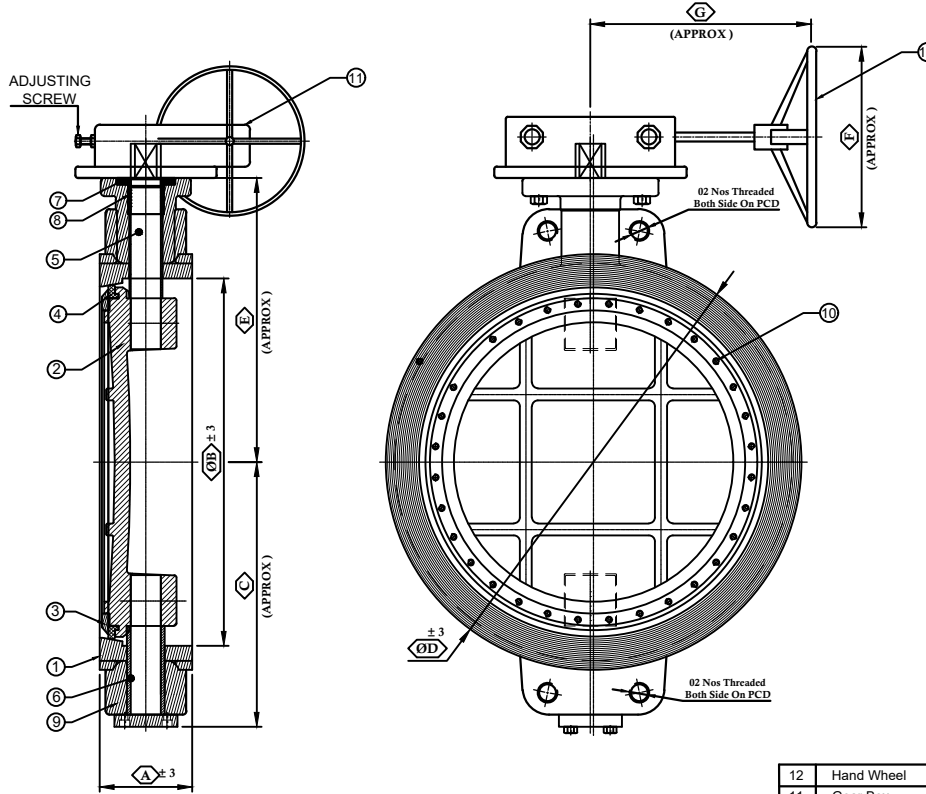




SHREENATH ENGINEERING

PLOT NO-B/22, ZAVERI ESTATE,
NR. KATHWADA G.I.D.C., KATHWADA-SINGARVA ROAD,
KATHWADA, AHMEDABAD-382 430, GUJARAT, INDIA.
MOBILE :- +91 9825530462, 9979082211
E-mail: neconvalves@yahoo.com / Website : www.neconvalves.com

DRN	DATE	
ABDUL	10/06/2024	
WAFER TYPE BUTTER FLY VALVE.		
DRG. NO :	SE/WSDV/GO/400 - 600	



Double Eccentric Disc Design

Valve Size	A	ØB	C	ØD	E	F	G	FLANGE MOUNTING (I.S.O 5211)
16" (400mm)	102	360	305	495	385	465	305	F 14
18" (450mm)	114	400	305	538	375	465	305	F 14
20" (500mm)	127	465	340	590	410	510	350	F 16
24" (600mm)	154	610	410	695	470	600	350	F 16

12	Hand Wheel	M.S.Fabricated
11	Gear Box	Cast Iron
10	L.N. Bolt	S.S. 202 / S.S. 304 / S.S. 316
9	Bottom Cover	WCB / CF8
8	Gland Packing	PTFE
7	Gland	WCB / CF8 / CF8M
6	Shaft Bearing Bush	AISI 410 / 304 / 316
5	Shaft	AISI 410 / 304 / 316
4	Seat Ring	PTFE / GFT / CFT
3	Retainer	WCB / CF8 / CF8M / CF3 / CF3M
2	Disc	CF8 / CF8M / CF3 / CF3M
1	Body	WCB / CF8 / CF8M / CF3 / CF3M
No.	Description	Material

TESTING

PRESSURE RATING	HYDROSTATIC SHELL TEST		HYDROSTATIC SEAT TEST	
	Kg/CM2	PSI	Kg/CM2	PSI
PN10	15	210	10	140
PN16	22	310	16	225

CONFORMITY TO CODES & STANDARDS

- 1) DESIGN & MANUFACTURE :- API 609
- 2) VALVE FACE TO FACE DIMENSION :- BS 5155 / API 609 Category B
- 3) TOP FLANGE DRILLING :- ISO 5211
- 4) VALVE INSPECTION & TESTING :- BS 6755 Part - I / API 598 / EN 12266-1
- 5) FLANGE STANDARD CONFORMITY :- ANSI 150 / IS 6392 NP 1.0 / 1.6

THIS DRAWING IS PROPERTY OF SHREENATH ENGINEERING.
SHREENATH ENGINEERING RESERVES RIGHTS OF USE, CHANGE & MODIFY PRODUCT DESIGN OR PRODUCT WITHOUT PRIOR NOTICE.

CHECKED BY :-

APPROVED :-