

1	2		3		4		5	
SIZES	F/F	A	B	E	H	L	Ø M	Ø N
TLRNC.	± 2.00	APPROX	APPROX	± 2.00	APPROX	APPROX	-	-
80	46	129	80	65.7	245	180	50	6.5
100	52	140	91	86.2	265	215	50	6.5
125	56	163	111	113.0	310	265	70	8.3
150	56	176	124	140.8	335	265	70	8.3

- DESIGN STANDARD :- API609 | IS13095 | BS5155
- TESTING STANDARD :- API598
- FACE TO FACE STANDARD :- API609 | IS13095 | BS5155
- END CONNECTION :- Wafer to suite ANSI 150 Class, BS Table D & E IDIN PN 10 & 16

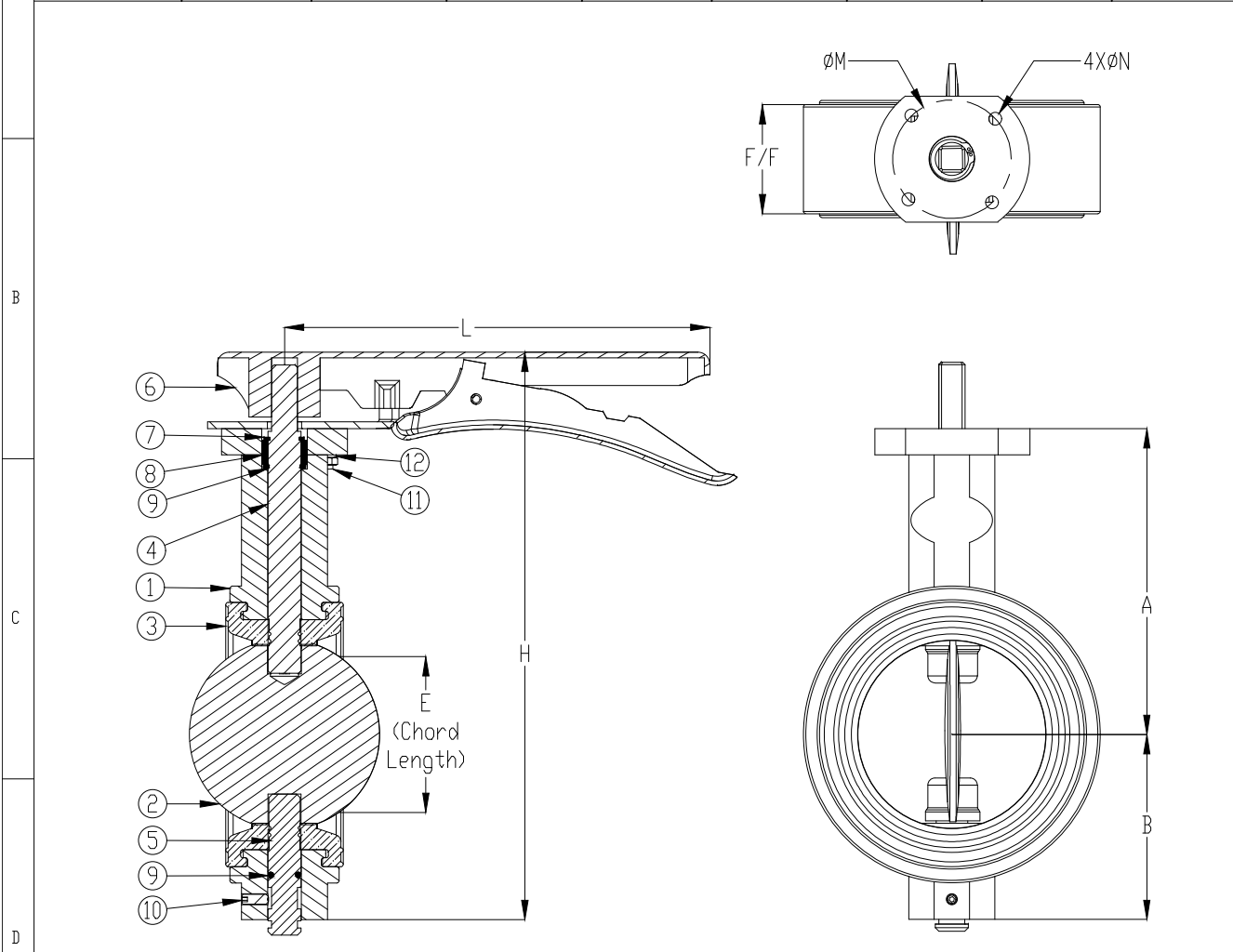
HYDRO TEST PRESSURE	
PRESSURE RATING	PN 10
BODY TEST	15 Kg/cm ²
SEAT TEST	11 Kg/cm ²

NOTES / REMARKS

12	SPRING WASHER	M.S.	2
11	NUT & BOLT	M.S.	2
10	GRUBSCREW	M.S.	1
9	O-RING	EPDM	3
8	BUSH	SS 304 WITH PTFE	1
7	CIRCLIP	M.S.	1
6	HANDLE	MS Fabricated / SS304	1
5	PIN	SS 410 / 304 / 316 / Special Metals	1
4	SHAFT	SS 410 / 304 / 316 / Special Metals	1
3	SEAT	EPDM / Nitrile / Neoprene / Silicon / Viton / Hypalon	1
2	DISC	SG / WCB / CF8 / CF8M / AL Bronze / Special Metals	1
1	BODY	Cast Iron / SG Iron	1

NO.	DESCRIPTION	MATERIAL	QTY.
All dimensions are in mm			
Scale:- Not to scale			APP. MINESH
TITLE :- Wafer Type Centric Disc Replaceable Seat Butterfly Valve			DATE 20-05-2021
DRG. NO. :- BFV-WAF-REP-LD-80-150			CHK. MINESH
			DATE 19-05-2021
			DRN MASUM
			DATE 18-05-2021

SHREENATH ENGINEERING
MOBILE :- +91 9825530462, 9979082211
E-mail : neconvalves@yahoo.com
Website : www.neconvalves.com



R3			PROJECT :-	DATE:-
R2			CUSTOMER :-	
R1	Updated Layout and Dimensions	MINESH 05/01/2022	INQUIRY NO :-	
REV.	DESCRIPTION	APP.BY DATE	P.O. NO. :-	

We reserve all rights to make any changes due to continuous improvement in process without any prior notice.