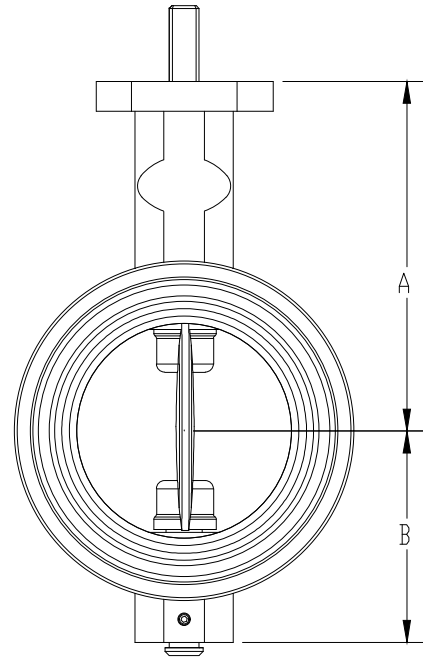
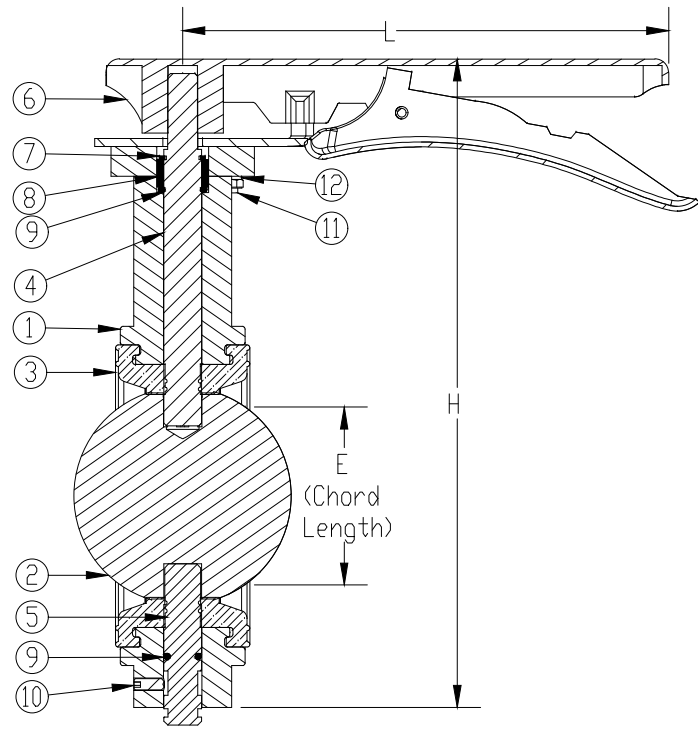
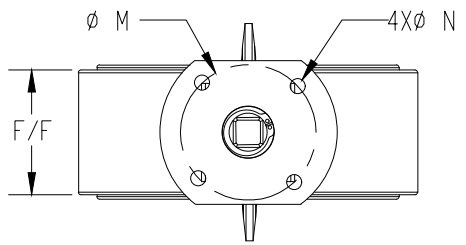


1		2		3		4		
SIZES	F/F	A	B	E	H	L	Ø M	Ø N
TLRNC.	± 2.00	APPROX	APPROX	± 2.00	APPROX	APPROX	-	-
40	33	109	61	25.2	200	180	50	6.5
50	43	114	65	28.0	210	180	50	6.5
65	46	121	72	44.0	225	180	50	6.5

<ul style="list-style-type: none"> <li>DESIGN STANDARD :- API609   IS13095   BS5155</li> <li>TESTING STANDARD :- API598</li> <li>FACE TO FACE STANDARD :- API609   IS13095   BS5155</li> <li>END CONNECTION :- Wafer to suite ANSI 150 Class, BS Table D &amp; E IDIN PN 10 &amp; 16</li> </ul>
---

HYDRD TEST PRESSURE	
PRESSURE RATING	PN 10
BODY TEST	15 Kg/cm <sup>2</sup>
SEAT TEST	11 Kg/cm <sup>2</sup>

NOTES / REMARKS



12	SPRING WASHER	M.S.	2
11	NUT & BOLT	M.S.	2
10	GRUBSCREW	M.S.	1
9	O-RING	EPDM	3
8	BUSH	SS 304 WITH PTFE	1
7	CIRCLIP	M.S.	1
6	HANDLE	MS Fabricated / SS304	1
5	PIN	SS 410 / 304 / 316 / Special Metals	1
4	SHAFT	SS 410 / 304 / 316 / Special Metals	1
3	SEAT	EPDM / Nitrile / Neoprene / Silicon / Viton / Hypalon	1
2	DISC	SG / WCB / CF8 / CF8M / AL Bronze / Special Metals	1
1	BODY	Cast Iron / SG Iron	1

All dimensions are in mm			APP.	MINESH
Scale:- Not to scale			DATE	20-05-2021
TITLE :-Wafer Type Centric Disc Replaceable Seat Butterfly Valve L.O.			CHK.	MINESH
DRG. NO. :- BFV-WAF-REP-LD-40-65			DATE	19-05-2021
			DRN	MASUM
			DATE	18-05-2021

R3				PROJECT :-	DATE:-
R2				CUSTOMER :-	
R1	Updated Layout and Dimensions	MINESH	05/01/2022	INQUIRY NO :-	
REV.	DESCRIPTION	APP.BY	DATE	P.O. NO. :-	
We reserve all rights to make any changes due to continuous improvement in process without any prior notice.					

**SHREENATH ENGINEERING**  
MOBILE :- +91 9825530462, 9979082211  
E-mail : [neconvalves@yahoo.com](mailto:neconvalves@yahoo.com)  
Website : [www.neconvalves.com](http://www.neconvalves.com)