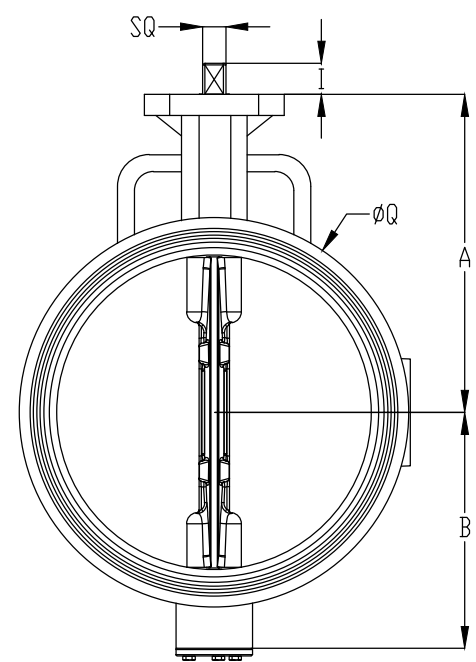
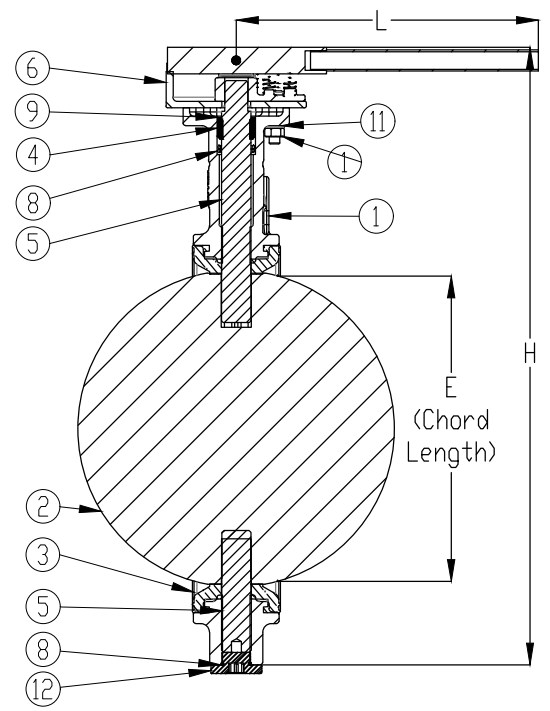
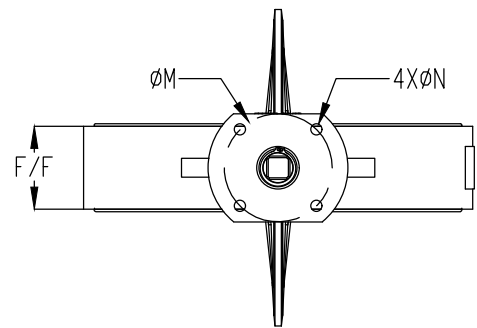


1		2				3			4			
SIZES	F/F	A	B	Ø D	E	H	I	L	Ø M	Ø N	Ø Q	SQ
TLRNC.	± 2.00	APPROX	APPROX	± 2.00	± 2.00	APPROX	± 3.00	APPROX	-	-	APPROX	± 0.20
250	68	279	192	245	237	535	25	410	102	11	310	19
300	78	303	223	296	289	600	25	410	102	11	373	22

- DESIGN STANDARD :- API609 | IS13095 | BS5155
- TESTING STANDARD :- API598
- FACE TO FACE STANDARD :- API609 | IS13095 | BS5155
- END CONNECTION :- Wafer to suite ANSI 150 Class, BS Table D & E IDIN PN 10 & 16

HYDRO TEST PRESSURE	
PRESSURE RATING	PN 10
BODY TEST	15 Kg/cm ²
SEAT TEST	11 Kg/cm ²

NOTES / REMARKS



12	BOTTOM PLUG	M.S.	S.S.	1
11	SPRING WASHER	M.S.	S.S.	2
10	NUT & BOLT	M.S.	S.S.	2
9	CIRCLIP	M.S.	S.S.	1
8	O-RING	EPDM		2
7	BUSH	SS 304 WITH PTFE		1
6	HANDLE	M.S. Fabricated / SS304		1
5	PIN	SS 410 / 304 / 316 / Special Metals		1
4	SHAFT	SS 410 / 304 / 316 / Special Metals		1
3	SEAT	EPDM / Nitrile / Neoprene / Silicon / Viton / Hypalon		1
2	DISC	SG / WCB	CF8 / CF8M / AL Bronze / Special Metals	1
1	BODY	CI / SG IRON		1

NO.	DESCRIPTION	MATERIAL	QTY.
All dimensions are in mm			
Scale:- Not to scale			
TITLE :- Wafer Type Centric Disc Replaceable Seat Butterfly Valve L.O.		APP. DATE	MINESH 20-03-2021
		CHK. DATE	MINESH 19-03-2021
DRG. NO. :- BFV-WAF-REP-LD-250-300		DRN. DATE	MASUM 18-03-2021

SHREENATH ENGINEERING
MOBILE :- +91 9825530462, 9979082211
E-mail : neconvalves@yahoo.com
Website : www.neconvalves.com

R2				PROJECT :-	DATE:-
R1	UPDATED LAYOUT AND DIMENSIONS	MINESH	05/01/2022	CUSTOMER :-	
REV.	DESCRIPTION	APP.BY	DATE	INQUIRY NO :-	
				P.O. NO. :-	

We reserve all rights to make any changes due to continuous improvement in process without any prior notice.