

1	2		3		4		5	6
SIZES	F/F	A	B	E	H	L	ϕ M	ϕ N
TLRNC.	± 2.00	APPROX	APPROX	± 2.00	APPROX	APPROX	-	-
200	60	219	161	191.3	435	345	70	8.3

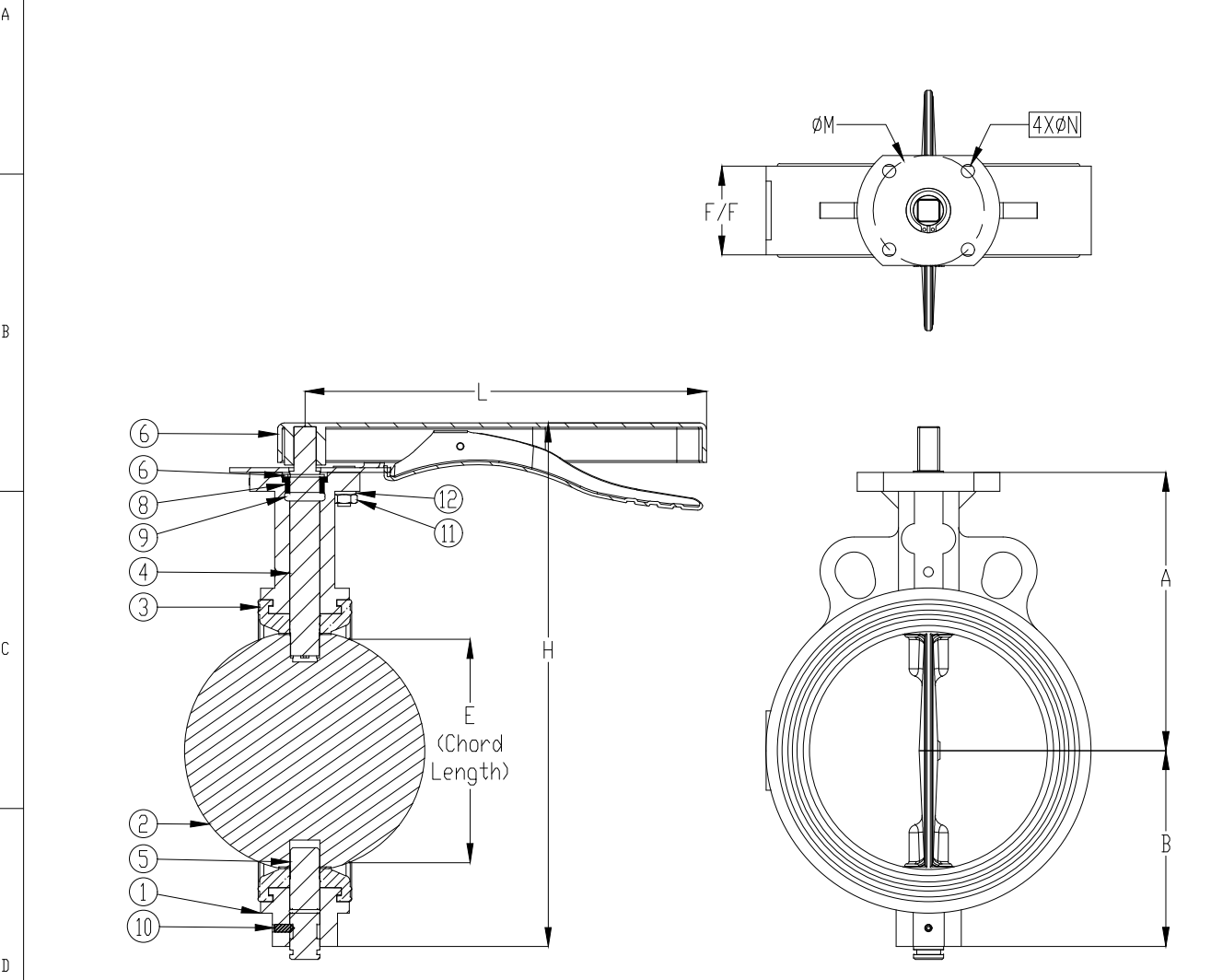
- DESIGN STANDARD :- API609 | IS13095 | BS5155
- TESTING STANDARD :- API598
- FACE TO FACE STANDARD :- API609 | IS13095 | BS5155
- END CONNECTION :- Wafer to suite ANSI 150 Class, BS Table D & E IDIN PN 10 & 16

HYDRO TEST PRESSURE	
PRESSURE RATING	PN 10
BODY TEST	15 Kg/cm ²
SEAT TEST	11 Kg/cm ²

NOTES / REMARKS

12	SPRING WASHER	M.S.	2
11	NUT & BOLT	M.S.	2
10	GRUBSCREW	M.S.	1
9	O-RING	EPDM	3
8	BUSH	SS 304 WITH PTFE	1
7	CIRCLIP	M.S.	1
6	HANDLE	M.S. Fabricated / SS304	1
5	PIN	SS 410 / 304 / 316 / Special Metals	1
4	SHAFT	SS 410 / 304 / 316 / Special Metals	1
3	SEAT	EPDM / Nitrile / Neoprene / Silicon / Viton / Hypalon	1
2	DISC	SG / WCB / CF8 / CF8M / AL Bronze / Special Metals	1
1	BODY	Cast Iron / SG Iron	1
NO.	DESCRIPTION	MATERIAL	QTY.

All dimensions are in mm		APP.	MINESH
Scale:- Not to scale		DATE	20-03-2021
TITLE :- Wafer Type Centric Disc Replaceable Seat Butterfly Valve L.D.		CHK.	MINESH
		DATE	19-03-2021
DRG. NO. :- BFV-WAF-REP-LO-200		DRN	MASUM
		DATE	18-03-2021



R3			PROJECT :-	DATE:-
R2			CUSTOMER :-	
R1	Updated Layout and Dimensions	MINESH	05/01/2022	INQUIRY NO :-
REV.	DESCRIPTION	APP.BY	DATE	P.O. NO. :-
We reserve all rights to make any changes due to continuous improvement in process without any prior notice.				

SHREENATH ENGINEERING
MOBILE :- +91 9825530462, 9979082211
E-mail : neconvalves@yahoo.com
Website : www.neconvalves.com