

1		2				3				4					
SIZES	F/F	A	B	C	Ø D	E	I	J	L	Ø M	Ø N	Ø Q	R	SQ	Ø W
TLRNC.	± 2.00	APPROX	APPROX	APPROX	± 3.00	± 3.00	± 3.00	-	APPROX	-	-	APPROX	± 2.00	± 0.20	APPROX
500	127	426	356	515	489	472	48	20	320	165	21.0	585	31	36	500
600	154	500	430	635	590	570	58	20	450	165	21.5	695	32	46	500

5		6	
● DESIGN STANDARD	:- API609 IS13095 BS5155		
● TESTING STANDARD	:- API598		
● FACE TO FACE STANDARD	:- API609 IS13095 BS5155		
● END CONNECTION	:- Wafer to suite ANSI 150 Class, BS Table D & E IDIN PN 10 & 16		

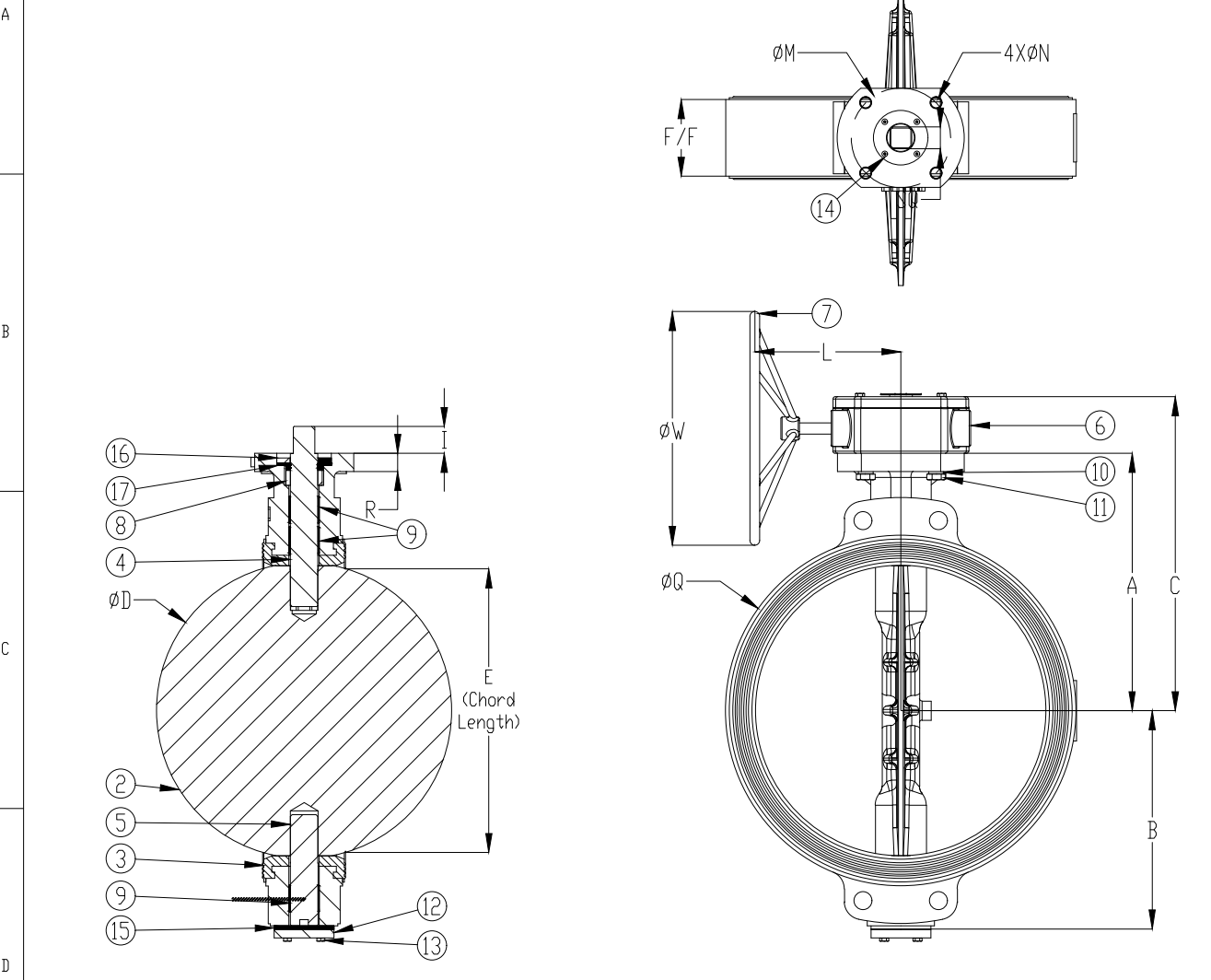
HYDRO TEST PRESSURE	
PRESSURE RATING	PN 10
BODY TEST	15 Kg/cm ²
SEAT TEST	11 Kg/cm ²

NOTES / REMARKS

1) Number of Holes & PCD are as per ASME B16.5 #150, For any deviation contact us.
 2) PCD of valves to be specified by buyer & we shall confirm it's feasibility for the same.
 3) By default tapped hole are provided, please mention tapping size clearly in Purchase Order.

17	SHAFT PACKING	EPDM	1	
16	RETAINER PAD	EPDM	1	
15	BOTTOM PAD PACKING	EPDM	1	
14	RETAINER PAD BOLT	M.S.	S.S.	4
13	BOTTOM PAD BOLT	M.S.	S.S.	4
12	BOTTOM PAD	M.S.	S.S.	1
11	BOLT	M.S.	S.S.	4
10	SPRING WASHER	M.S.	S.S.	8
9	BUSH	MU PTFE	3	
8	BUSH	SS 304 WITH PTFE	1	
7	HAND WHEEL	M.S. Fabricated	1	
6	GEAR BOX	Cast Iron Housing	1	
5	PIN	SS 410 / 304 / 316 / Special Metals	1	
4	SHAFT	SS 410 / 304 / 316 / Special Metals	1	
3	SEAT	EPDM / Nitrile / Neoprene / Silicon / Viton / Hypalon	1	
2	DISC	SG / WCB	CF8 / CF8M / AL Bronze / Special Metals	1
1	BODY	CI / SG / WCB	CF8 / CF8M / Special Metals	1

NO.	DESCRIPTION	MATERIAL	QTY.
All dimensions are in mm			
Scale:- Not to scale		APP.	MINESH
TITLE :- Wafer Type Centric Disc Replaceable Seat Butterfly Valve G.D.		DATE	07-12-2021
DRG. NO. :- BFV-WAF-REP-GD-500-600		CHK.	MINESH
		DATE	07-12-2021
		DRN	MASUM
		DATE	06-12-2021



R3			PROJECT :-	DATE:-
R2			CUSTOMER :-	
R1		MINESH	INQUIRY NO :-	
REV.	DESCRIPTION	APP.BY	DATE	P.O. NO. :-

We reserve all rights to make any changes due to continuous improvement in process without any prior notice.

SHREENATH ENGINEERING
 MOBILE :- +91 9825530462, 9979082211
 E-mail : neconvalves@yahoo.com
 Website : www.neconvalves.com