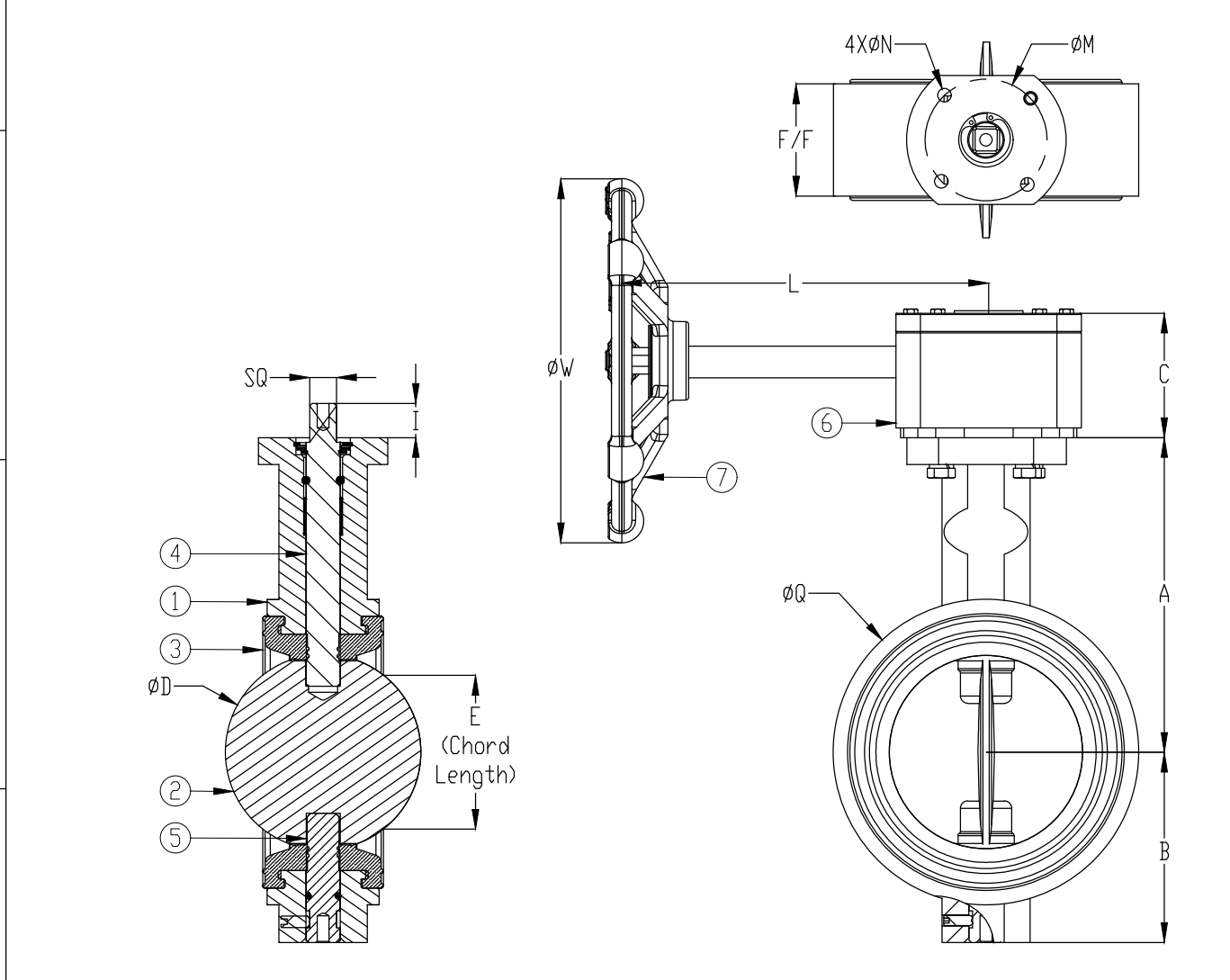


1		2				3				4			
SIZES	F/F	A	B	C	∅ D	E	I	L	∅ M	∅ N	∅ Q	SQ	∅ W
TLRNC.	± 2.00	APPROX	APPROX	APPROX	± 2.00	± 2.00	± 3.00	APPROX	-	-	APPROX	± 0.20	APPROX
40	33	109	59	56	40	25	14	160	50	6.5	78	11	150
50	43	114	64	56	50	28	14	160	50	6.5	93	11	150
65	46	121	70	56	63	44	14	160	50	6.5	107	11	150
80	46	129	79	56	80	66	14	160	50	6.5	123	11	150

5		6	
• DESIGN STANDARD	:- API609 IS13095 BS5155		
• TESTING STANDARD	:- API598		
• FACE TO FACE STANDARD	:- API609 IS13095 BS5155		
• END CONNECTION	:- Wafer to suite ANSI 150 Class, BS Table D & E IDIN PN 10 & 16		
HYDRO TEST PRESSURE			
PRESSURE RATING		PN 10	
BODY TEST		15 Kg/cm ²	
SEAT TEST		11 Kg/cm ²	



NOTES / REMARKS			

NO.	DESCRIPTION	MATERIAL	QTY.
-	FASTNERS	M.S.	-
7	HANDLE WHEEL	M.S.	1
6	GEAR BOX	Cast Iron Housing	1
5	PIN	SS410	1
4	SHAFT	SS410	1
3	SEAT	EPDM (Replaceable)	1
2	DISC	SG/WCB/CF8/CF8M/AL Bronze/SPL Metals	1
1	BODY	Cast Iron / SG Iron	1

All dimensions are in mm			APP.	MINESH
Scale:- Not to scale			DATE	20-05-2021
TITLE :- Wafer Type Centric Disc Replaceable Seat Butterfly Valve G.D.		CHK.	MINESH	
DRG. NO. :- BFV-WAF-REP-GD-40-80		DATE	19-05-2021	
		DRN	MASUM	
		DATE	18-05-2021	

REV.	DESCRIPTION	APP.BY	DATE	P.O. NO. :-
R2				PROJECT :-
R1	Updated Layout and Dimensions	MINESH	05/01/2022	CUSTOMER :-
				INQUIRY NO :-
				DATE :-

SHREENATH ENGINEERING
MOBILE :- +91 9825530462, 9979082211
E-mail : neconvalves@yahoo.com
Website : www.neconvalves.com

We reserve all rights to make any changes due to continuous improvement in process without any prior notice.