

1		2			3		4		
SIZES	F/F	A	B	C	E	L	Ø M	Ø N	Ø W
TLRNC.	± 2.00	APPROX	APPROX	APPROX	± 3.00	APPROX	-	-	APPROX
350	78	332	273	435	330.9	260	125	13	410
400	102	368	305	450	368.7	260	125	13	410

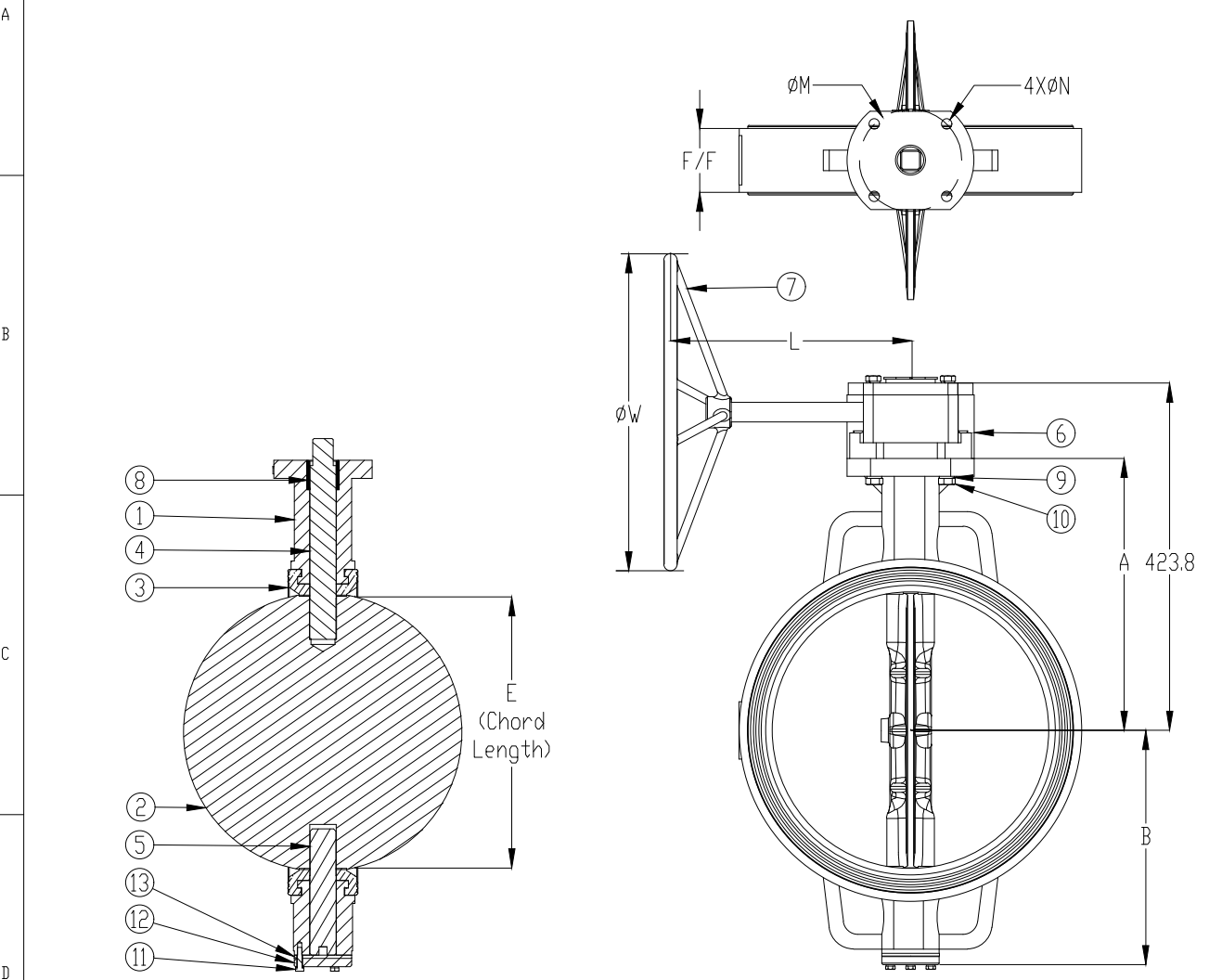
● DESIGN STANDARD	:- API609 IS13095 BS5155
● TESTING STANDARD	:- API598
● FACE TO FACE STANDARD	:- API609 IS13095 BS5155
● END CONNECTION	:- Wafer to suite ANSI 150 Class, BS Table D & E IDIN PN 10 & 16

HYDRD TEST PRESSURE	
PRESSURE RATING	PN 10
BODY TEST	15 Kg/cm ²
SEAT TEST	11 Kg/cm ²

NOTES / REMARKS

13	BOTTOM PAD PACKING		EPDM	1
12	BOTTOM PAD	M.S.	S.S.	1
11	BOTTOM PAD BOLT	M.S.	S.S.	3
10	BOLT	M.S.	S.S.	7
9	SPRING WASHER	M.S.	S.S.	7
8	BUSH	SS 304 WITH PTFE		1
7	HAND WHEEL	M.S. Fabricated		1
6	GEAR BOX	Cast Iron Housing		1
5	PIN	SS 410 / 304 / 316 / Special Metals		1
4	SHAFT	SS 410 / 304 / 316 / Special Metals		1
3	SEAT	EPDM / Nitrile / Neoprene / Silicon / Viton / Hypalon		1
2	DISC	SG / WCB	CF8 / CF8M / AL Bronze / Special Metals	1
1	BODY	CI / SG / WCB	CF8 / CF8M / Special Metals	1

NO.	DESCRIPTION	MATERIAL	QTY.
All dimensions are in mm			
Scale:- Not to scale			
TITLE :- Wafer Type Centric Disc Replaceable Seat Butterfly Valve G.O.		APP.	MINESH
		DATE	08-4-2021
		CHK.	MINESH
		DATE	07-04-2021
DRG. NO. :- BFV-WAF-REP-GO-350-400		DRN	MASUM
		DATE	06-04-2021



R3			PROJECT :-	DATE:-
R2			CUSTOMER :-	
R1	Updated Layout and Dimensions	MINESH	05/01/2022	INQUIRY NO :-
REV.	DESCRIPTION	APP.BY	DATE	P.O. NO. :-

We reserve all rights to make any changes due to continuous improvement in process without any prior notice.

SHREENATH ENGINEERING
MOBILE :- +91 9825530462, 9979082211
E-mail : neconvalves@yahoo.com
Website : www.neconvalves.com