

1		2					3				4			
SIZES	F/F	A	B	C	∅ D	E	I	L	∅ M	∅ N	∅ Q	R	SQ	∅ W
TLRNC.	± 2.00	APPROX	APPROX	APPROX	± 3.00	± 3.00	± 3.00	APPROX	-	-	APPROX	± 2.00	± 0.20	APPROX
250	68	280	193	342	245	237.0	40	225	102	11	310	23	19	275
300	78	303	236	365	296	289.0	29	225	102	11	373	23	22	275

- DESIGN STANDARD :- API609 | IS13095 | BS5155
- TESTING STANDARD :- API598
- FACE TO FACE STANDARD :- API609 | IS13095 | BS5155
- END CONNECTION :- Wafer to suite ANSI 150 Class, BS Table D & E IDIN PN 10 & 16

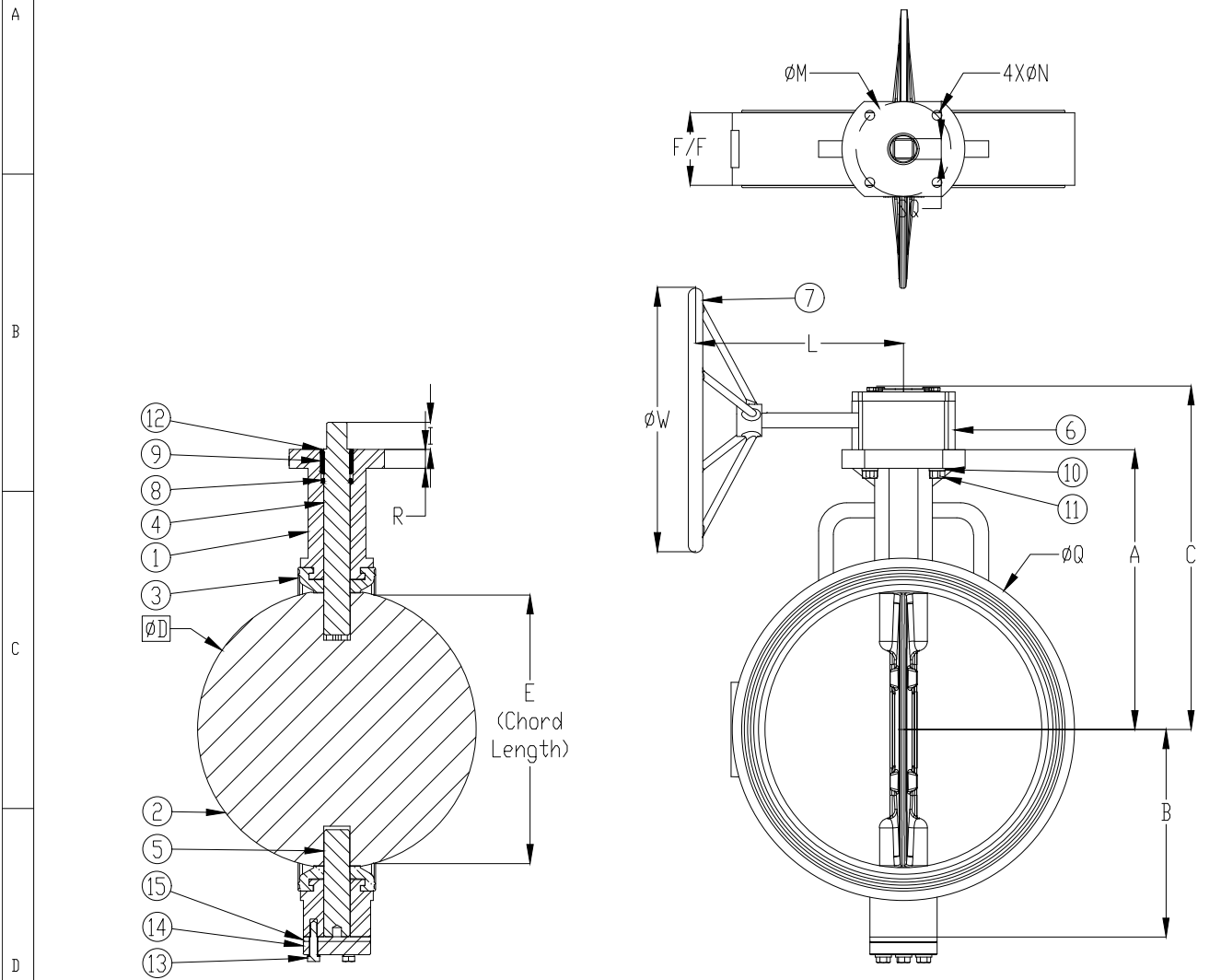
HYDRO TEST PRESSURE		
PRESSURE RATING	PN 10	PN 16
BODY TEST	15 Kg/cm <sup>2</sup>	24 Kg/cm <sup>2</sup>
SEAT TEST	11 Kg/cm <sup>2</sup>	17.6 Kg/cm <sup>2</sup>

NOTES / REMARKS

15	BOTTOM PAD PACKING	EPDM	1
14	BOTTOM PAD	M.S.	1
13	BOTTOM PAD BOLT	M.S.	3
12	CIRCLIP	M.S.	1
11	BOLT	M.S.	7
10	SPRING WASHER	M.S.	7
9	BUSH	SS 304 WITH PTFE	1
8	O-RING	EPDM	2
7	HAND WHEEL	M.S. Fabricated	1
6	GEAR BOX	Cast Iron Housing	1
5	PIN	SS 410 / 304 / 316 / Special Metals	1
4	SHAFT	SS 410 / 304 / 316 / Special Metals	1
3	SEAT	EPDM / Nitrile / Neoprene / Silicon / Viton/ Hypalon	1
2	DISC	SG / WCB / CF8 / CF8M/ AL Bronze / Special Metals	1
1	BODY	Cast Iron / SG Iron	1

NO.	DESCRIPTION	MATERIAL	QTY.
All dimensions are in mm		APP. MINESH	
Scale:- Not to scale		DATE 20-03-2021	
TITLE :- Wafer Type Centric Disc Replaceable Seat Butterfly Valve G.D.		CHK. MINESH	
		DATE 19-03-2021	
DRG. NO. :- BFV-WAF-REP-GO-250-300		DRN. MASUM	
		DATE 18-03-2021	

**SHREENATH ENGINEERING**  
MOBILE :- +91 9825530462, 9979082211  
E-mail : [neconvalves@yahoo.com](mailto:neconvalves@yahoo.com)  
Website : [www.neconvalves.com](http://www.neconvalves.com)



R3			PROJECT :-	DATE:-
R2			CUSTOMER :-	
R1	Updated Layout and Dimensions	MINESH 05/01/2022	INQUIRY NO :-	
REV.	DESCRIPTION	APP.BY DATE	P.O. NO. :-	
We reserve all rights to make any changes due to continuous improvement in process without any prior notice.				