

1	2		3		4		5		6	
SIZES	B F/F	L F/F	A	B	E	H	J	L	Ø M	Ø N
TLRNC.	± 2.00	± 2.00	APPROX	APPROX	± 2.00	APPROX	-	APPROX	-	-
40	33	29	109	61	25.2	200	4	180	50	6.5
50	43	39	114	65	28.0	210	4	180	50	6.5
65	46	42	121	72	44.0	225	4	180	50	6.5
80	46	42	129	80	65.7	245	4	180	50	6.5

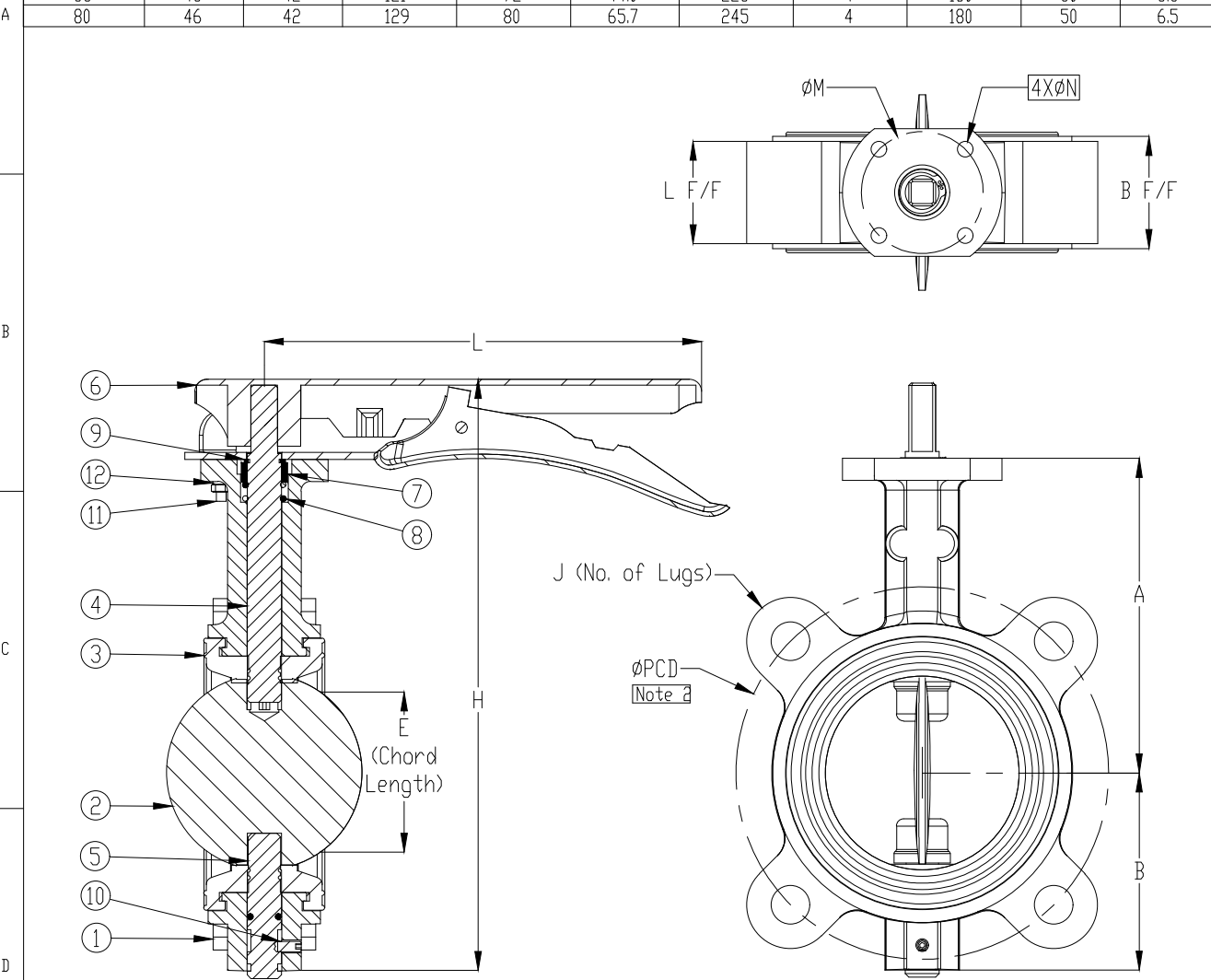
- DESIGN STANDARD :- API609 | IS13095 | BS5155
- TESTING STANDARD :- API598
- FACE TO FACE STANDARD :- API609
- END CONNECTION :- Wafer Lugged to suite ANSI 150 Class

HYDRO TEST PRESSURE	
PRESSURE RATING	PN 10
BODY TEST	15 Kg/cm ²
SEAT TEST	11 Kg/cm ²

NOTES / REMARKS

12	SPRING WASHER	M.S.	S.S	2
11	NUT & BOLT	M.S.	S.S	2
10	GRUBSCREW	M.S.	S.S	1
9	CIRCLIP	M.S.	S.S	1
8	O-RING	EPDM		3
7	BUSH	SS 304 WITH PTFE		1
6	HANDLE	MS Fabricated / SS 304		1
5	PIN	SS 410 / 304 / 316 / Special Metals		1
4	SHAFT	SS 410 / 304 / 316 / Special Metals		1
3	SEAT	EPDM / Nitrile / Neoprene / Silicon / Viton / Hypalon		1
2	DISC	WCB / CI	CF8 / CF8M / Special Metals	1
1	BODY	WCB / CI	CF8 / CF8M / Special Metals	1

NO.	DESCRIPTION	MATERIAL		QTY.
All dimensions are in mm				
Scale:- Not to scale				
TITLE :- Wafer Lug Type Centric Disc Replaceable Seat Butterfly Valve L.D.		APP.	MINESH	
DRG. NO. :- BFV-LUG-REP-LD-40-80		DATE	20-03-2021	
		CHK.	MINESH	
		DATE	19-03-2021	
		DRN	MASUM	
		DATE	18-03-2021	



R3			PROJECT :-	DATE:-
R2			CUSTOMER :-	
R1			INQUIRY NO :-	
REV.	DESCRIPTION	APP.BY	DATE	P.O. NO. :-

We reserve all rights to make any changes due to continuous improvement in process without any prior notice.

SHREENATH ENGINEERING
 MOBILE :- +91 9825530462, 9979082211
 E-mail : neconvalves@yahoo.com
 Website : www.neconvalves.com