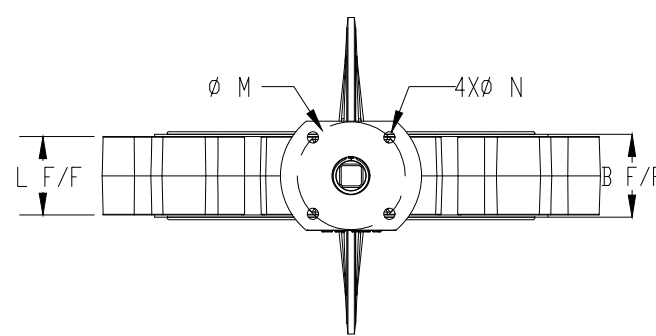


1		2			3			4		
SIZES	B F/F	L F/F	A	B	E	H	J	L	∅ M	∅ N
TLRNC.	± 2.00	± 2.00	APPROX	APPROX	± 2.00	APPROX	-	APPROX	-	-
250	68	64	280	194	236.7	535	12	410	102	11
300	78	74	303	236	288.7	600	12	410	102	11

- DESIGN STANDARD :- API609 | IS13095 | BS5155
- TESTING STANDARD :- API598
- FACE TO FACE STANDARD :- API609 | IS13095 | BS5155
- END CONNECTION :- Wafer Lugged to suite ANSI 150 Class



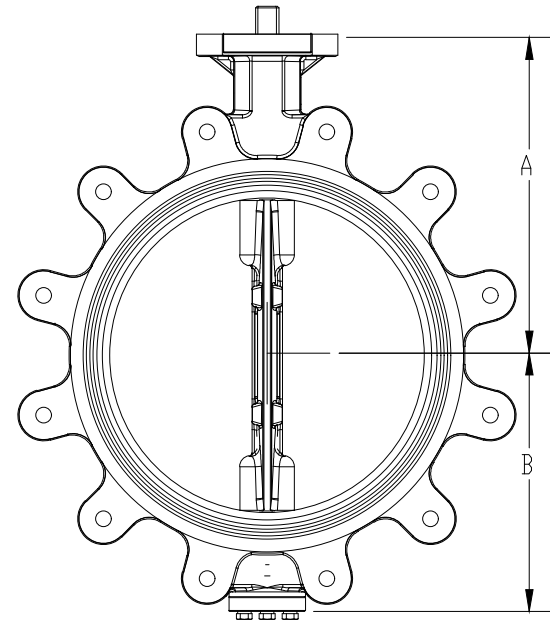
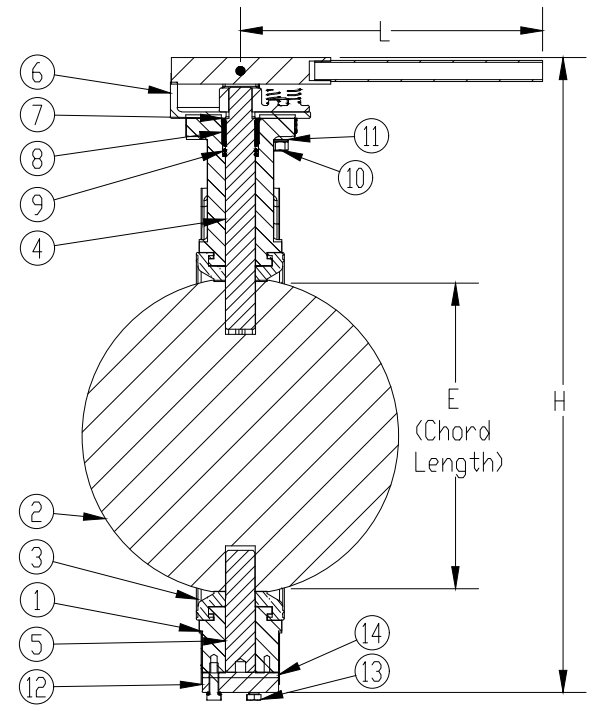
HYDRO TEST PRESSURE	
PRESSURE RATING	PN 10
BODY TEST	15 Kg/cm ²
SEAT TEST	11 Kg/cm ²

NOTES / REMARKS

14	BOTTOM PAD PACKING	EPDM		1
13	BOTTOM PAD BOLT	M.S.	S.S.	3
12	BOTTOM PAD	M.S.	S.S.	1
11	SPRING WASHER	M.S.	S.S.	7
10	NUT & BOLT	M.S.	S.S.	4
7	CIRCLIP	M.S.	S.S.	1
9	O-RING	EPDM		2
8	BUSH	SS 304 WITH PTFE		1
6	HANDLE	M.S. Fabricated / SS304		1
5	PIN	SS 410 / 304 / 316 / Special Metals		1
4	SHAFT	SS 410 / 304 / 316 / Special Metals		1
3	SEAT	EPDM / Nitrile / Neoprene / Silicon / Viton / Hypalon		1
2	DISC	SG / WCB	CF8 / CF8M / AL Bronze / Special Metals	1
1	BODY	CI / SG / WCB	CF8 / CF8M / Special Metals	1

NO.	DESCRIPTION	MATERIAL	QTY.
All dimensions are in mm			APP. MINESH
Scale:- Not to scale			DATE 20-03-2021
TITLE :- Wafer Lug Type Centric Disc Replaceable Seat Butterfly Valve L.D.		CHK. MINESH	
		DATE 19-03-2021	
DRG. NO. :- BFV-LUG-REP-LO-250-300		DRN MASUM	
		DATE 18-03-2021	

SHREENATH ENGINEERING
MOBILE :- +91 9825530462, 9979082211
E-mail : neconvalves@yahoo.com
Website : www.neconvalves.com



R3				PROJECT :-	DATE:-
R2				CUSTOMER :-	
R1	Updated Layout and Dimensions		MINESH	05/01/2022	INQUIRY NO :-
REV.	DESCRIPTION		APP.BY	DATE	P.D. NO. :-
We reserve all rights to make any changes due to continuous improvement in process without any prior notice.					