

1		2			3			4		
SIZES	B F/F	L F/F	A	B	E	H	J	L	∅ M	∅ N
TLRNC.	± 2.00	± 2.00	APPROX	APPROX	± 2.00	APPROX	-	APPROX	-	-
100	52	48	140	91	86.2	265	8	215	50	6.5
125	56	52	163	111	113.0	310	8	265	70	8.3
150	56	52	176	124	141.0	335	8	265	70	8.3
200	60	56	219	161	191.0	435	8	345	70	8.3

- DESIGN STANDARD :- API609 | IS13095 | BS1555
- TESTING STANDARD :- API598
- FACE TO FACE STANDARD :- API609
- END CONNECTION :- Wafer Lugged to suite ANSI 150 Class

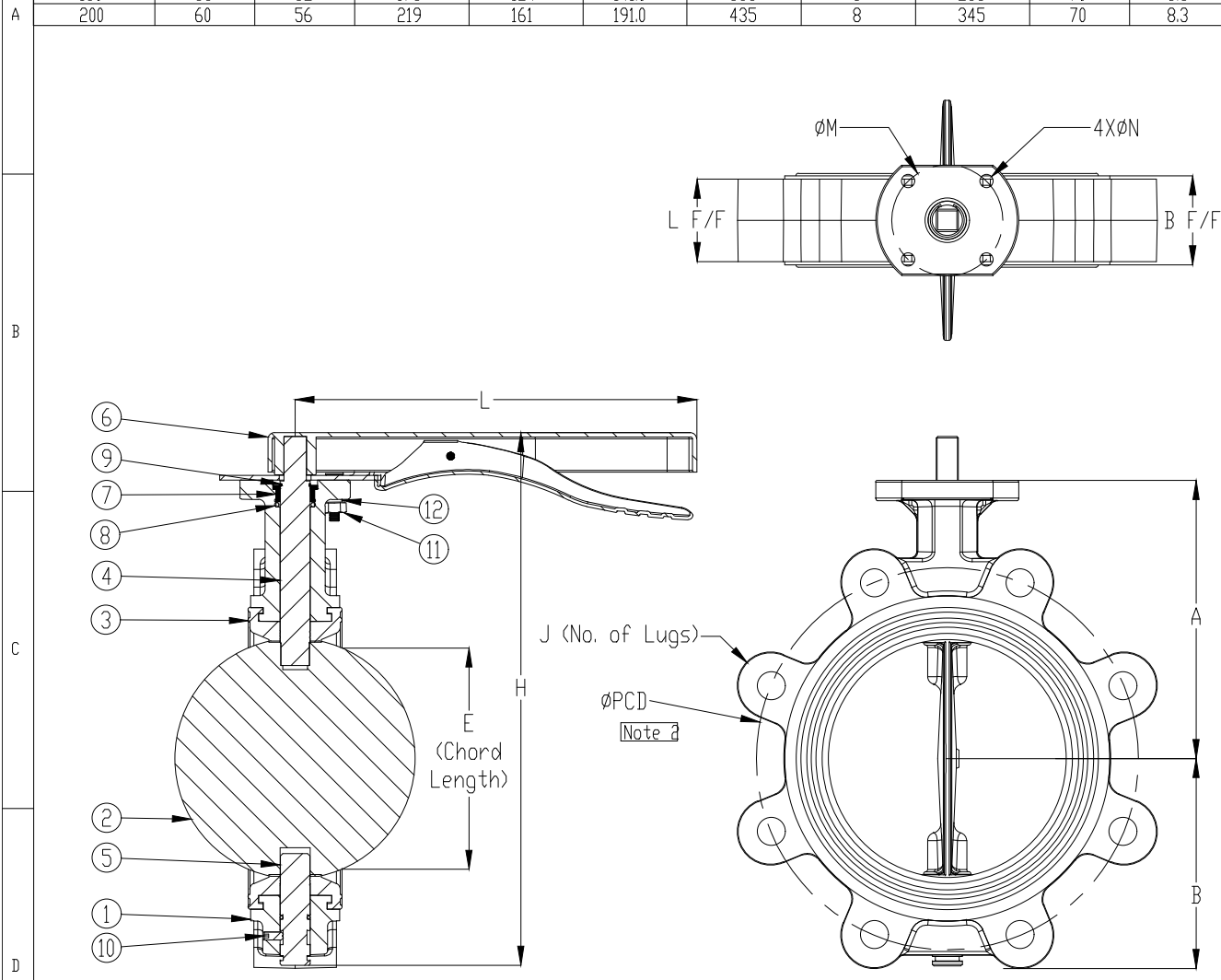
HYDRD TEST PRESSURE	
PRESSURE RATING	PN 10
BODY TEST	15 Kg/cm ²
SEAT TEST	11 Kg/cm ²

NOTES / REMARKS

12	SPRING WASHER	M.S.	S.S.	2
11	NUT & BOLT	M.S.	S.S.	2
10	GRUBSCREW	M.S.	S.S.	1
9	CIRCLIP	M.S.	S.S.	1
8	O-RING	EPDM		3
7	BUSH	SS 304 WITH PTFE		1
6	HANDLE	MS Fabricated / SS 304		1
5	PIN	SS 410 / 304 / 316 / Special Metals		1
4	SHAFT	SS 410 / 304 / 316 / Special Metals		1
3	SEAT	EPDM / Nitrile / Neoprene / Silicon / Viton / vHypalon		1
2	DISC	WCB / CI	CF8 / CF8M / Special Metals	1
1	BODY	WCB / CI	CF8 / CF8M / Special Metals	1

NO.	DESCRIPTION	MATERIAL	QTY.
All dimensions are in mm			
Scale:- Not to scale		APP.	MINESH
		DATE	20-03-2021
TITLE :- Wafer Lug Type Centric Disc Replaceable Seat Butterfly Valve G.D.		CHK.	MINESH
		DATE	19-03-2021
DRG. NO. :- BFV-LUG-REP-LD-100-200		DRN	MASUM
		DATE	18-03-2021

SHREENATH ENGINEERING
MOBILE :- +91 9825530462, 9979082211
E-mail : neconvalves@yahoo.com
Website : www.neconvalves.com



R3			PROJECT :-	DATE:-
R2			CUSTOMER :-	
R1		MINESH	INQUIRY NO :-	
REV.	DESCRIPTION	APP.BY	DATE	P.D. NO. :-

We reserve all rights to make any changes due to continuous improvement in process without any prior notice.