

1	2			3			4				
SIZES	B F/F	L F/F	A	B	C	E	J	L	ϕ M	ϕ N	ϕ W
TLRNC.	± 2.00	± 2.00	APPROX	APPROX	APPROX	± 3.00	-	APPROX	-	-	APPROX
500	127	121	426	356	515	472	20	320	165	21.0	500
600	154	146	500	430	635	570	20	450	165	21.5	500

● DESIGN STANDARD :- API609 | IS13095 | BS5155
 ● TESTING STANDARD :- API598
 ● FACE TO FACE STANDARD :- API609 | IS13095 | BS5155
 ● END CONNECTION :- Wafer Lugged to suite ANSI 150 Class

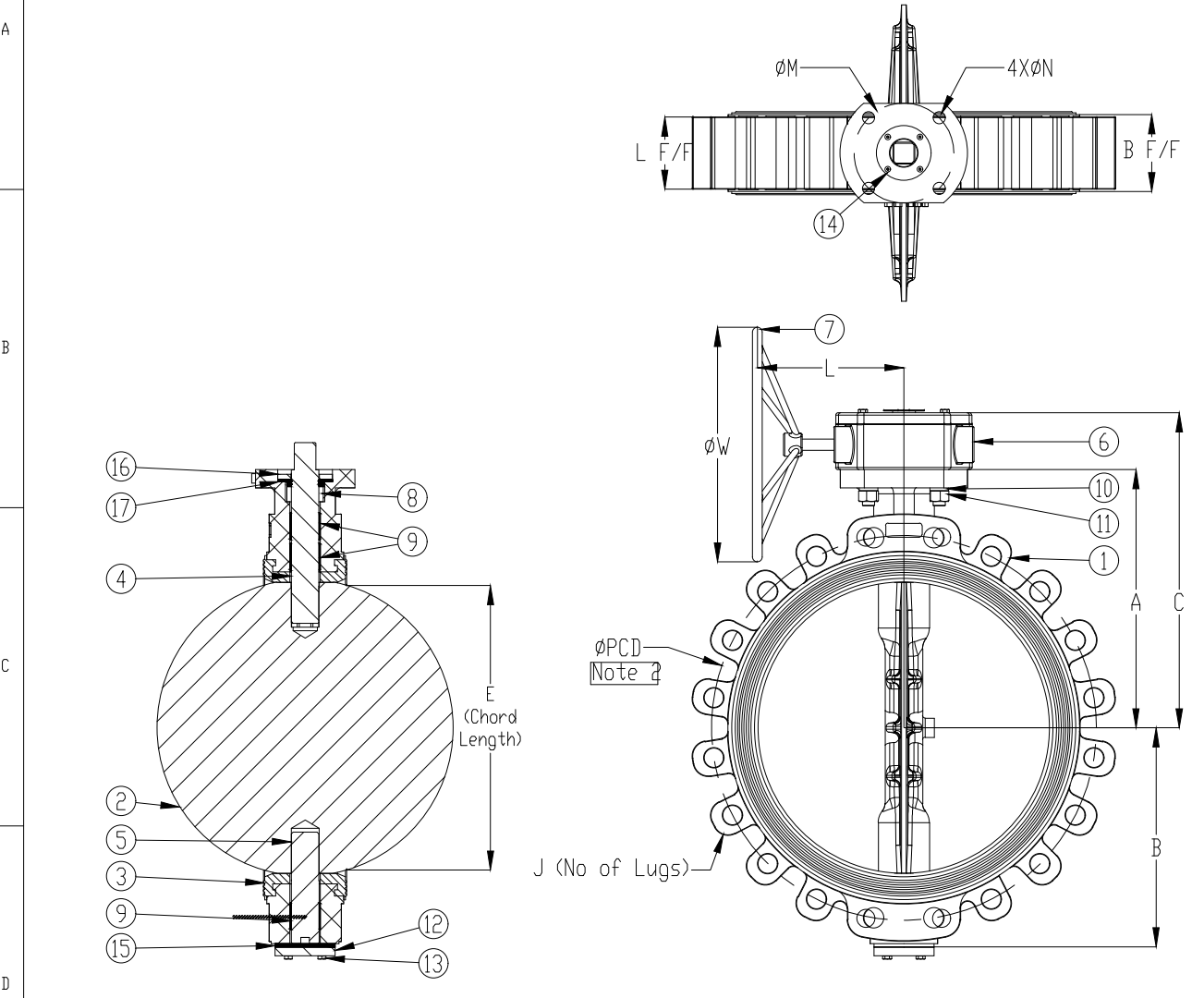
HYDRD TEST PRESSURE	
PRESSURE RATING	PN 10
BODY TEST	15 Kg/cm ²
SEAT TEST	11 Kg/cm ²

NOTES / REMARKS

1) Number of Lugs is as per ASME B16.5 #150, for any deviation contact us.
 2) PCD of valves to be specified by buyer & we shall confirm it's feasibility for the same.
 3) PCD & No. of Lugs to be mentioned by the purchaser in Purchase Order.
 4) By default through holes in Lugs are provided, for tapped holes please mention tapping size clearly in Purchase Order.

17	SHAFT PACKING	EPDM	1
16	RETAINER PAD	EPDM	1
15	BOTTOM PAD PACKING	EPDM	1
14	RETAINER PAD BOLT	M.S.	4
13	BOTTOM PAD BOLT	M.S.	4
12	BOTTOM PAD	M.S.	1
11	BOLT	M.S.	4
10	SPRING WASHER	M.S.	8
9	BUSH	MU PTFE	3
8	BUSH	SS 304 WITH PTFE	1
7	HAND WHEEL	M.S. Fabricated	1
6	GEAR BOX	Cast Iron Housing	1
5	PIN	SS 410 / 304 / 316 / Special Metals	1
4	SHAFT	SS 410 / 304 / 316 / Special Metals	1
3	SEAT	EPDM / Nitrile / Neoprene / Silicon / Viton / Hypalon	1
2	DISC	SG / WCB / CF8 / CF8M / AL Bronze / Special Metals	1
1	BODY	CI / SG / WCB / CF8 / CF8M / Special Metals	1

NO.	DESCRIPTION	MATERIAL	QTY.
All dimensions are in mm			
Scale:- Not to scale			
TITLE :- Wafer Lug Type Centric Disc Replaceable Seat Butterfly Valve G.D.		APP.	MINESH
		DATE	07-12-2021
		CHK.	MINESH
		DATE	07-12-2021
		DRN	MASUM
		DATE	06-12-2021



R3			PROJECT :-	DATE:-
R2			CUSTOMER :-	
R1		MINESH	INQUIRY NO :-	
REV.	DESCRIPTION	APP.BY	DATE	P.O. NO. :-

We reserve all rights to make any changes due to continuous improvement in process without any prior notice.

SHREENATH ENGINEERING
 MOBILE :- +91 9825530462, 9979082211
 E-mail : neconvalves@yahoo.com
 Website : www.neconvalves.com