

1	2			3			4				
SIZES	B F/F	L F/F	A	B	C	E	J	L	ϕ M	ϕ N	ϕ W
TLRNC.	± 2.00	± 2.00	APPROX	APPROX	APPROX	± 3.00	-	APPROX	-	-	APPROX
400	102	98	368	305	450	369	16	260	125	13	410
450	114	100	398	353	500	375	16	320	140	18	500

5	6
<ul style="list-style-type: none"> DESIGN STANDARD :- API609 IS13095 BS5155 TESTING STANDARD :- API598 FACE TO FACE STANDARD :- API609 IS13095 BS5155 END CONNECTION :- Wafer Lugged to suite ANSI 150 Class 	

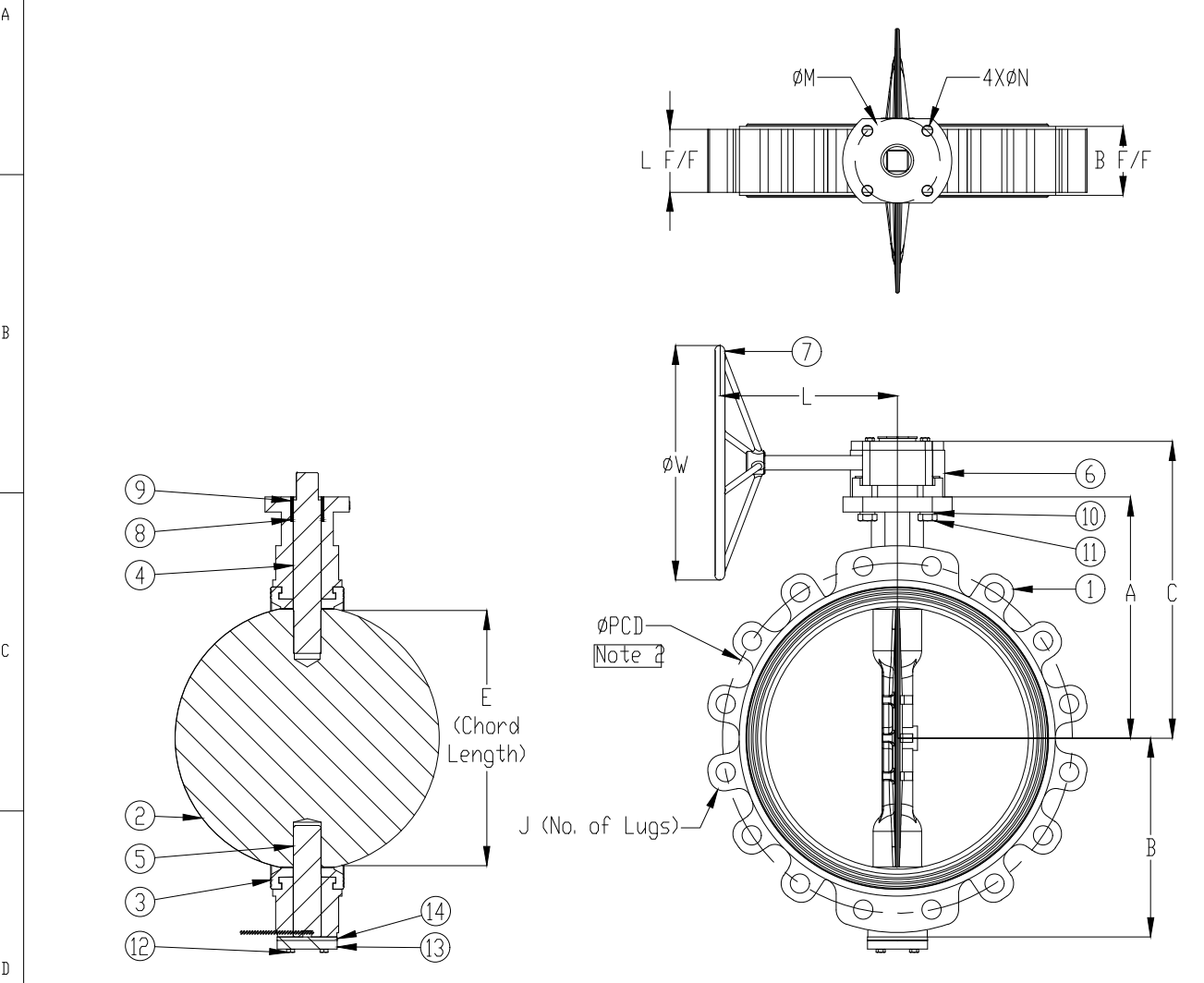
HYDRO TEST PRESSURE	
PRESSURE RATING	PN 10
BODY TEST	15 Kg/cm ²
SEAT TEST	11 Kg/cm ²

NOTES / REMARKS

1) Number of Lugs is as per ASME B16.5 #150, for any deviation contact us.
 2) PCD of valves to be specified by buyer & we shall confirm it's feasibility for the same.
 3) PCD & No. of Lugs to be mentioned by the purchaser in Purchase Order.
 4) By default through holes in Lugs are provided, for tapped holes please mention tapping size clearly in Purchase Order.

14	BOTTOM PAD PACKING	EPDM		1
13	BOTTOM PAD	M.S.	S.S.	1
12	BOTTOM PAD BOLT	M.S.	S.S.	4
11	BOLT	M.S.	S.S.	4
10	SPRING WASHER	M.S.	S.S.	8
9	BUSH	SS 304 WITH PTFE		1
8	O-RING	EPDM		2
7	HAND WHEEL	M.S. Fabricated		1
6	GEAR BOX	Cast Iron Housing		1
5	PIN	SS 410 / 304 / 316 / Special Metals		1
4	SHAFT	SS 410 / 304 / 316 / Special Metals		1
3	SEAT	EPDM / Nitrile / Neoprene / Silicon / Viton / Hypalon		1
2	DISC	SG / WCB	CF8 / CF8M / AL Bronze / Special Metals	1
1	BODY	CI / SG / WCB	CF8 / CF8M / Special Metals	1

NO.	DESCRIPTION	MATERIAL	QTY.
All dimensions are in mm			
Scale:- Not to scale		APP.	MINESH
TITLE :- Wafer Lug Type Centric Disc Replaceable Seat Butterfly Valve G.O.		DATE	07-12-2021
DRG. NO. :- BFV-LUG-REP-GO-400-450		CHK.	MINESH
		DATE	07-12-2021
		DRN	MASUM
		DATE	06-12-2021



R3			PROJECT :-	DATE:-
R2			CUSTOMER :-	
R1		MINESH	INQUIRY NO :-	
REV.	DESCRIPTION	APP.BY	DATE	P.O. NO. :-

We reserve all rights to make any changes due to continuous improvement in process without any prior notice.

SHREENATH ENGINEERING
 MOBILE :- +91 9825530462, 9979082211
 E-mail : neconvalves@yahoo.com
 Website : www.neconvalves.com