

1	2			3			4				
SIZES	B F/F	L F/F	A	B	C	E	J	L	ϕ M	ϕ N	ϕ W
TLRNC.	± 2.00	± 2.00	APPROX	APPROX	APPROX	± 2.00	-	APPROX	-	-	APPROX
40	33	29	109	61	161	25.2	4	190	50	6.5	150
50	43	39	114	65	166	28.0	4	190	50	6.5	150
65	46	42	121	72	173	44.0	4	190	50	6.5	150
80	46	42	129	80	181	65.7	4	190	50	6.5	150

- DESIGN STANDARD :- API609 | IS13095 | BS5155
- TESTING STANDARD :- API598
- FACE TO FACE STANDARD :- API609
- END CONNECTION :- Wafer Lugged to suite ANSI 150 Class

HYDRO TEST PRESSURE	
PRESSURE RATING	PN 10
BODY TEST	15 Kg/cm ²
SEAT TEST	11 Kg/cm ²

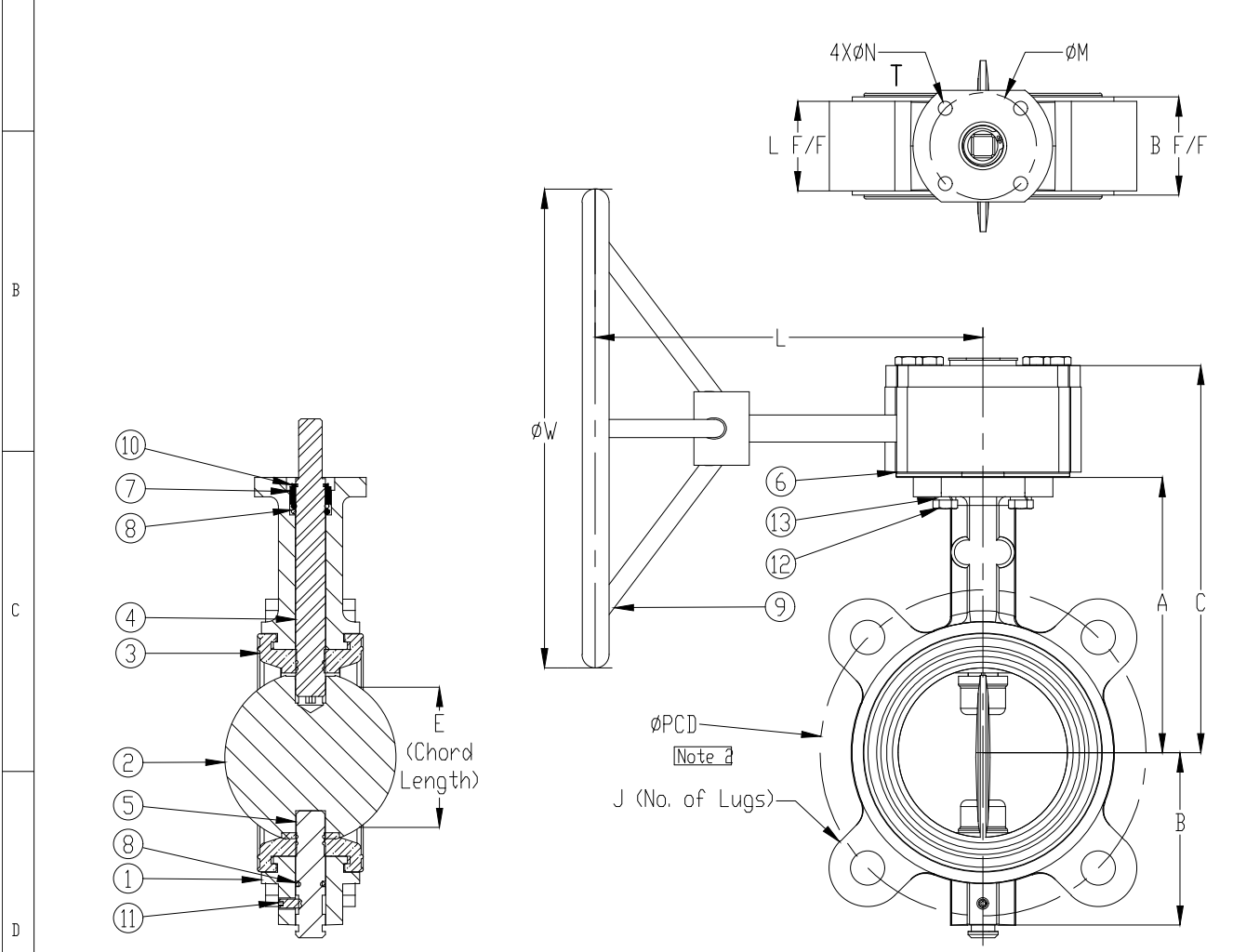
NOTES / REMARKS

1) Number of Lugs is as per ASME B16.5 #150, for any deviation contact us.
 2) PCD of valves to be specified by buyer & we shall confirm it's feasibility for the same.
 3) PCD & No. of Lugs to be mentioned by the purchaser in Purchase Order.
 4) By default through holes in Lugs are provided, for tapped holes please mention tapping size clearly in Purchase Order.

13	SPRING WASHER	M.S.	S.S.	2
12	BOLT	M.S.	S.S.	2
11	GRUBSCREW	M.S.	S.S.	1
10	CIRCLIP	M.S.	S.S.	1
9	HANDLE WHEEL	M.S. Fabricated		1
8	O-RING	EPDM		3
7	BUSH	SS 304 WITH PTFE		1
6	GEAR BOX	Cast Iron Housing		1
5	PIN	SS 410 / 304 / 316 / Special Metals		1
4	SHAFT	SS 410 / 304 / 316 / Special Metals		1
3	SEAT	EPDM / Nitrile / Neoprene / Silicon / Viton / Hypalon		1
2	DISC	WCB / CI	CF8 / CF8M / Special Metals	1
1	BODY	WCB / CI	CF8 / CF8M / Special Metals	1

NO.	DESCRIPTION	MATERIAL	QTY.
All dimensions are in mm			
Scale:- Not to scale			APP. MINESH
TITLE :- Wafer Lug Type Centric Disc Replaceable Seat Butterfly Valve G.D.		DATE 20-03-2021	CHK. MINESH
DRG. NO. :- BFV-LUG-REP-GD-40-80		DATE 19-03-2021	DRN MASUM
		DATE 18-03-2021	

SHREENATH ENGINEERING
 MOBILE :- +91 9825530462, 9979082211
 E-mail : neconvalves@yahoo.com
 Website : www.neconvalves.com



R3			PROJECT :-	DATE:-
R2			CUSTOMER :-	
R1			INQUIRY NO :-	
REV.	DESCRIPTION	MINESH	P.O. NO. :-	
		APP.BY		
		DATE		

We reserve all rights to make any changes due to continuous improvement in process without any prior notice.