

| 1 | | 2 | | | 3 | | | 4 | | | |
|--------|--------|--------|--------|--------|--------|--------|----|--------|-----|-----|--------|
| SIZES | B F/F | L F/F | A | B | C | E | J | L | ∅ M | ∅ N | ∅ W |
| TLRNC. | ± 2.00 | ± 2.00 | APPROX | APPROX | APPROX | ± 3.00 | - | APPROX | - | - | APPROX |
| 250 | 68 | 64 | 280 | 193 | 342 | 236.7 | 12 | 225 | 102 | 11 | 275 |
| 300 | 78 | 74 | 303 | 236 | 365 | 288.7 | 12 | 225 | 102 | 11 | 275 |
| 350 | 78 | 74 | 332 | 273 | 435 | 331.0 | 12 | 260 | 125 | 13 | 410 |

- DESIGN STANDARD :- API609 | IS13095 | BS5155
- TESTING STANDARD :- API598
- FACE TO FACE STANDARD :- API609 | IS13095 | BS5155
- END CONNECTION :- Wafer Lug to suite ANSI 150 Class

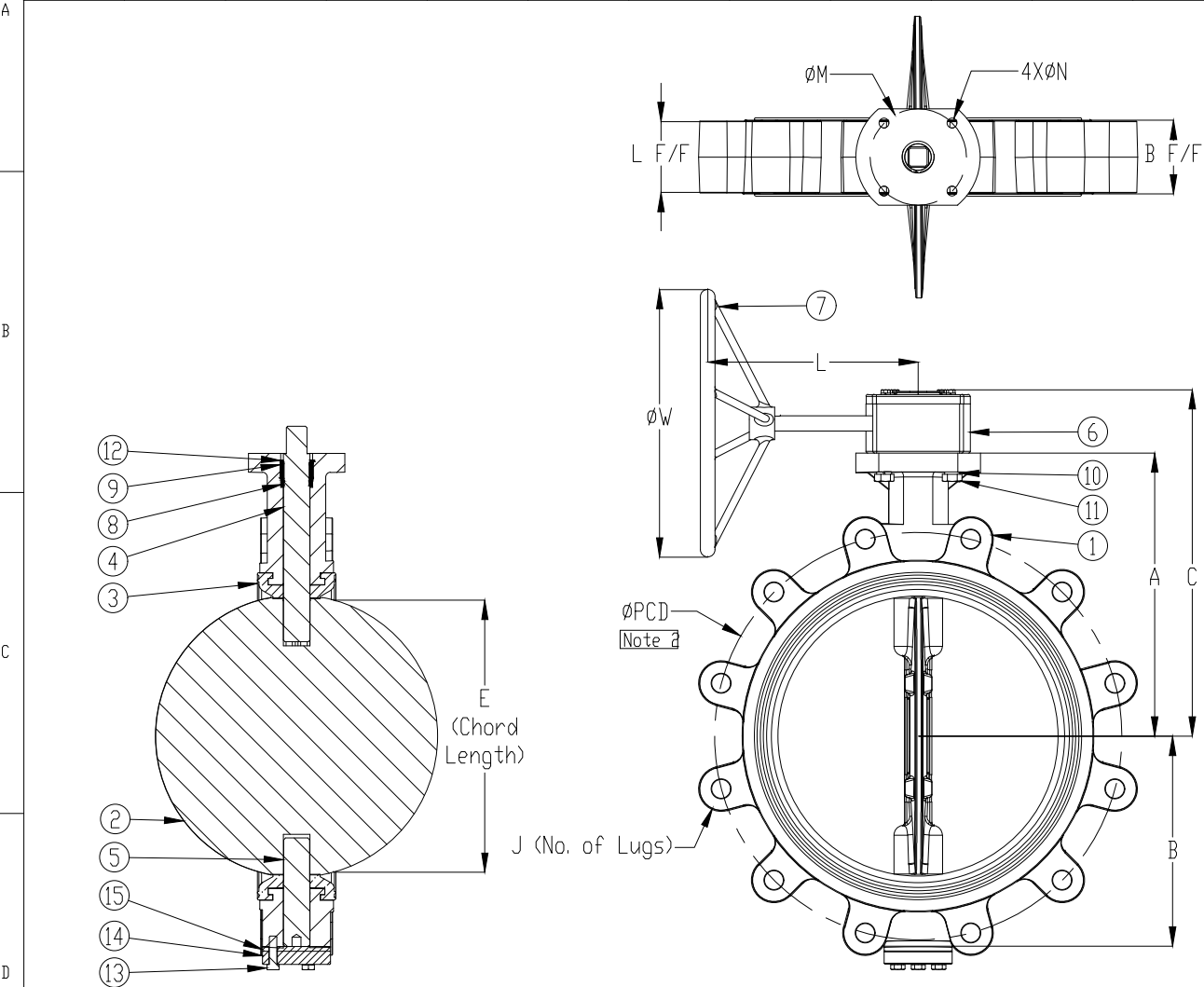
| HYDRO TEST PRESSURE | |
|---------------------|-----------------------|
| PRESSURE RATING | PN 10 |
| BODY TEST | 15 Kg/cm ² |
| SEAT TEST | 11 Kg/cm ² |

NOTES / REMARKS

1) Number of Lugs is as per ASME B16.5 #150, for any deviation contact us.
 2) PCD of valves to be specified by buyer & we shall confirm it's feasibility for the same.
 3) PCD & No. of Lugs to be mentioned by the purchaser in Purchase Order.
 4) By default through holes in Lugs are provided, for tapped holes please mention tapping size clearly in Purchase Order.

| | | | | |
|----|--------------------|---|---|---|
| 15 | BOTTOM PAD PACKING | EPDM | | 1 |
| 14 | BOTTOM PAD | M.S. | S.S. | 1 |
| 13 | BOTTOM PAD BOLT | M.S. | S.S. | 3 |
| 12 | CIRCLIP | M.S. | S.S. | 1 |
| 11 | BOLT | M.S. | S.S. | 7 |
| 10 | SPRING WASHER | M.S. | S.S. | 7 |
| 9 | BUSH | SS 304 WITH PTFE | | 1 |
| 8 | O-RING | EPDM | | 2 |
| 7 | HAND WHEEL | M.S. Fabricated | | 1 |
| 6 | GEAR BOX | Cast Iron Housing | | 1 |
| 5 | PIN | SS 410 / 304 / 316 / Special Metals | | 1 |
| 4 | SHAFT | SS 410 / 304 / 316 / Special Metals | | 1 |
| 3 | SEAT | EPDM / Nitrile / Neoprene / Silicon / Viton / Hypalon | | 1 |
| 2 | DISC | SG / WCB | CF8 / CF8M / AL Bronze / Special Metals | 1 |
| 1 | BODY | CI / SG / WCB | CF8 / CF8M / Special Metals | 1 |

| NO. | DESCRIPTION | MATERIAL | QTY. |
|--|-------------|-------------|-----------------|
| All dimensions are in mm | | | |
| Scale:- Not to scale | | | |
| TITLE :- Wafer Lug Type Centric Disc Replaceable Seat Butterfly Valve G.O. | | APP. MINESH | DATE 20-03-2021 |
| | | CHK. MINESH | DATE 19-03-2021 |
| DRG. NO. :- BFV-LUG-REP-GO-250-350 | | DRN. MASUM | DATE 18-03-2021 |



| | | | | |
|------|-------------------------------|--------|-------------|---------------|
| R3 | | | PROJECT :- | DATE:- |
| R2 | | | CUSTOMER :- | |
| R1 | Updated Layout and Dimensions | MINESH | 06/01/2022 | INQUIRY NO :- |
| REV. | DESCRIPTION | APP.BY | DATE | P.O. NO. :- |

We reserve all rights to make any changes due to continuous improvement in process without any prior notice.

SHREENATH ENGINEERING
 MOBILE :- +91 9825530462, 9979082211
 E-mail : neconvalves@yahoo.com
 Website : www.neconvalves.com