

1		2				3			4		
SIZES	B F/F	L F/F	A	B	C	E	J	L	∅ M	∅ N	∅ W
TLRNC.	± 2.00	± 2.00	APPROX	APPROX	APPROX	± 2.00	-	APPROX	-	-	APPROX
100	52	48	140	91	192	86.2	8	190	50	6.3	150
125	56	52	163	111	214	113.0	8	190	70	8.3	215
150	56	52	176	124	228	141.0	8	190	70	8.3	215
200	60	56	219	161	271	191.0	8	190	70	8.3	215

5		6	
● DESIGN STANDARD	:- API609   IS13095   BS5155		
● TESTING STANDARD	:- API598		
● FACE TO FACE STANDARD	:- API609		
● END CONNECTION	:- Wafer Lugged to suite ANSI 150 Class.		

HYDRO TEST PRESSURE	
PRESSURE RATING	PN 10
BODY TEST	15 Kg/cm <sup>2</sup>
SEAT TEST	11 Kg/cm <sup>2</sup>

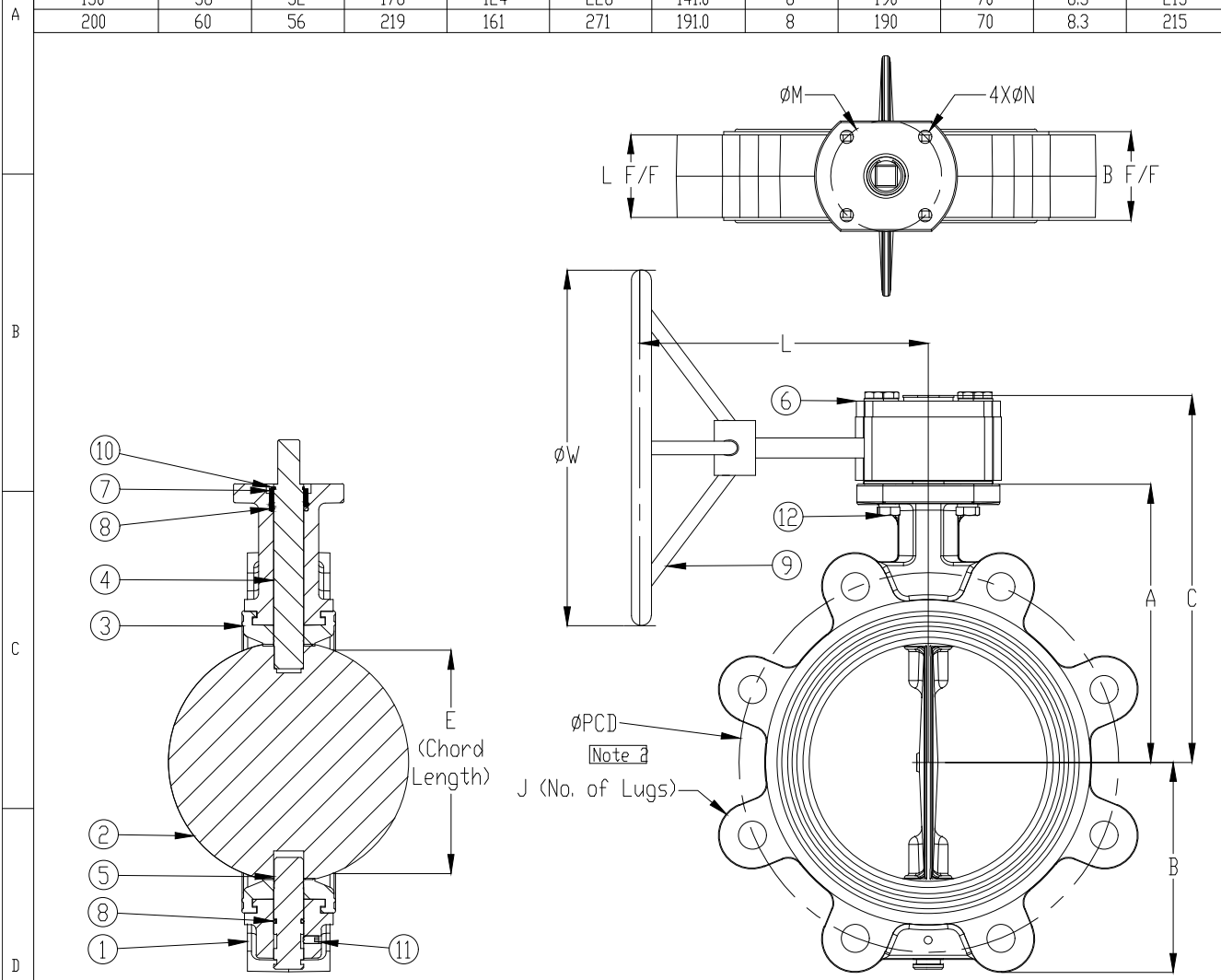
NOTES / REMARKS

1) Number of Lugs is as per ASME B16.5 #150, for any deviation contact us.  
 2) PCD of valves to be specified by buyer & we shall confirm it's feasibility for the same.  
 3) PCD & No. of Lugs to be mentioned by the purchaser in Purchase Order.  
 4) By default through holes in Lugs are provided, for tapped holes please mention tapping size clearly in Purchase Order.

12	BOLT	M.S.	S.S.	2
11	GRUBSCREW	M.S.	S.S.	1
10	CIRCLIP	M.S.	S.S.	1
9	HANDLE WHEEL	M.S. Fabricated		1
8	O-RING	EPDM		2
7	BUSH	SS 304 WITH PTFE		1
6	GEAR BOX	Cast Iron Housing		1
5	PIN	SS 410 / 304 / 316 / Special Metals		1
4	SHAFT	SS 410 / 304 / 316 / Special Metals		1
3	SEAT	EPDM / Nitrile / Neoprene / Silicon / Viton / Hypalon		1
2	DISC	WCB / CI	CF8 / CF8M / Special Metals	1
1	BODY	WCB / CI	CF8 / CF8M / Special Metals	1

NO.	DESCRIPTION	MATERIAL	QTY.
All dimensions are in mm			
Scale:- Not to scale			
TITLE :- Wafer Lug Type Centric Disc Replaceable Seat Butterfly Valve G.O.		APP.	MINESH
		DATE	20-03-2021
		CHK.	MINESH
		DATE	19-03-2021
DRG. NO. :- BFV-LUG-REP-GO-100-200		DRN	MASUM
		DATE	18-03-2021

**SHREENATH ENGINEERING**  
 MOBILE :- +91 9825530462, 9979082211  
 E-mail : [neconvalves@yahoo.com](mailto:neconvalves@yahoo.com)  
 Website : [www.neconvalves.com](http://www.neconvalves.com)



R3			PROJECT :-	DATE:-
R2			CUSTOMER :-	
R1		MINESH	INQUIRY NO :-	
REV.	DESCRIPTION	APP.BY	DATE	P.D. NO. :-

We reserve all rights to make any changes due to continuous improvement in process without any prior notice.