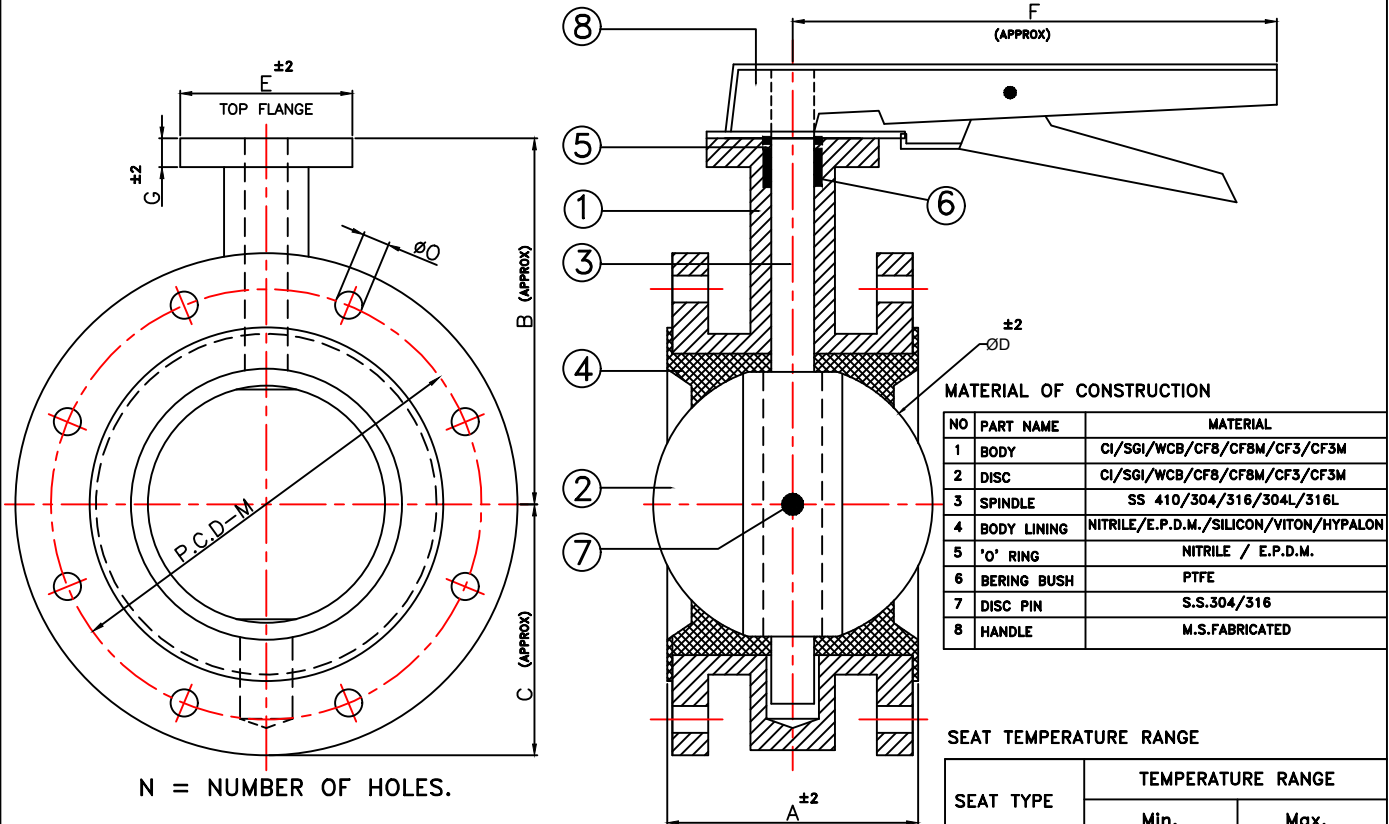




# SHREENATH ENGINEERING

PLOT NO-B/22, ZAVERI ESTATE,  
NR. KATHWADA G.I.D.C., KATHWADA-SINGARVA ROAD,  
KATHWADA, AHMEDABAD-382 430, GUJARAT, INDIA.  
MOBILE :- +91 9825530462, 9979082211  
E-mail: neconvalves@yahoo.com / Website : www.neconvalves.com

DRN MASUM	DATE 10/06/2024	
DOUBLE FLANGE CENTRIC DISC TYPE BUTTER FLY VALVE.		
DRG. NO : SE/DF-BFV/LO/50-300		



**MATERIAL OF CONSTRUCTION**

NO	PART NAME	MATERIAL
1	BODY	CI/SGI/WCB/CF8/CF8M/CF3/CF3M
2	DISC	CI/SGI/WCB/CF8/CF8M/CF3/CF3M
3	SPINDLE	SS 410/304/316/304L/316L
4	BODY LINING	NITRILE/E.P.D.M./SILICON/VITON/HYPALON
5	'O' RING	NITRILE / E.P.D.M.
6	BERING BUSH	PTFE
7	DISC PIN	S.S.304/316
8	HANDLE	M.S.FABRICATED

**SEAT TEMPERATURE RANGE**

SEAT TYPE	TEMPERATURE RANGE	
	Min.	Max.
NITRILE	-13°F(-25°C)	212°F(100°C)
EPDM	-13°F(-25°C)	250°F(120°C)
SILICON	-58°F(-50°C)	356°F(180°C)
VITON	-23°F(-5°C)	392°F(200°C)
HYPALON	-4°F(-20°C)	250°F(120°C)

NOTE : ALL DIMENSION ARE IN MM.

SIZE		A	B	C	D	E	F	G	TOP FLANGE MOUNTING (I.S.O 5211)	M	N	O
MM	INCH											
50	2"	108	125	85	50	65	180	15	F05	120.7	4	19
65	2½"	112	135	95	63	65	180	15	F05	139.7	4	19
80	3"	114	155	102	76	65	215	15	F05	152.4	4	19
100	4"	127	160	112	100	65	215	15	F05	190.5	8	19
125	5"	140	190	134	125	65	265	15	F05	215.9	8	22
150	6"	140	210	145	150	65	265	15	F05	241.3	8	22
200	8"	152	240	170	200	90	325	15	F07	298.5	8	22
250	10"	165	285	208	249	125	385	18	F10	362.0	12	25
300	12"	178	310	240	297	125	385	18	F10	431.8	12	25

**TESTING**

PRESSURE RATING	HYDROSTATIC SHELL TEST		HYDROSTATIC SEAT TEST	
	Kg/CM2	PSI	Kg/CM2	PSI
PN16	22	310	16	225
PN10	15	210	10	140

**CONFORMITY TO CODES & STANDARDS**

- GENERAL DESIGN & MANUFACTURE :- BS 5155 / IS 13095
- VALVE FACE TO FACE DIMENSION :- BS 5155 / IS 13095
- TOP FLANGE DRILLING :- ISO 5211
- VALVE INSPECTION & TESTING :- BS 6755 Part - 1 / API 598
- FLANGE STANDARD CONFORMITY :- ANSI 150 / ANSI 125

THIS DRAWING IS PROPERTY OF SHREENATH ENGINEERING.  
SHREENATH ENGINEERING RESERVES RIGHTS OF USE,CHANGE & MODIFY PRODUCT DESIGN OR PRODUCT WITHOUT PRIOR NOTICE.

CHECKED :-

APPROVED :-