

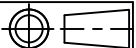


SHREENATH ENGINEERING

PLOT NO-B/22, ZAVERI ESTATE,
NR. KATHWADA G.I.D.C., KATHWADA-SINGARVA ROAD,
KATHWADA, AHMEDABAD-382 430, GUJARAT, INDIA.
MOBILE :- +91 9825530462, 9979082211
E-mail: info@neconvalves.com / Website : www.neconvalves.com

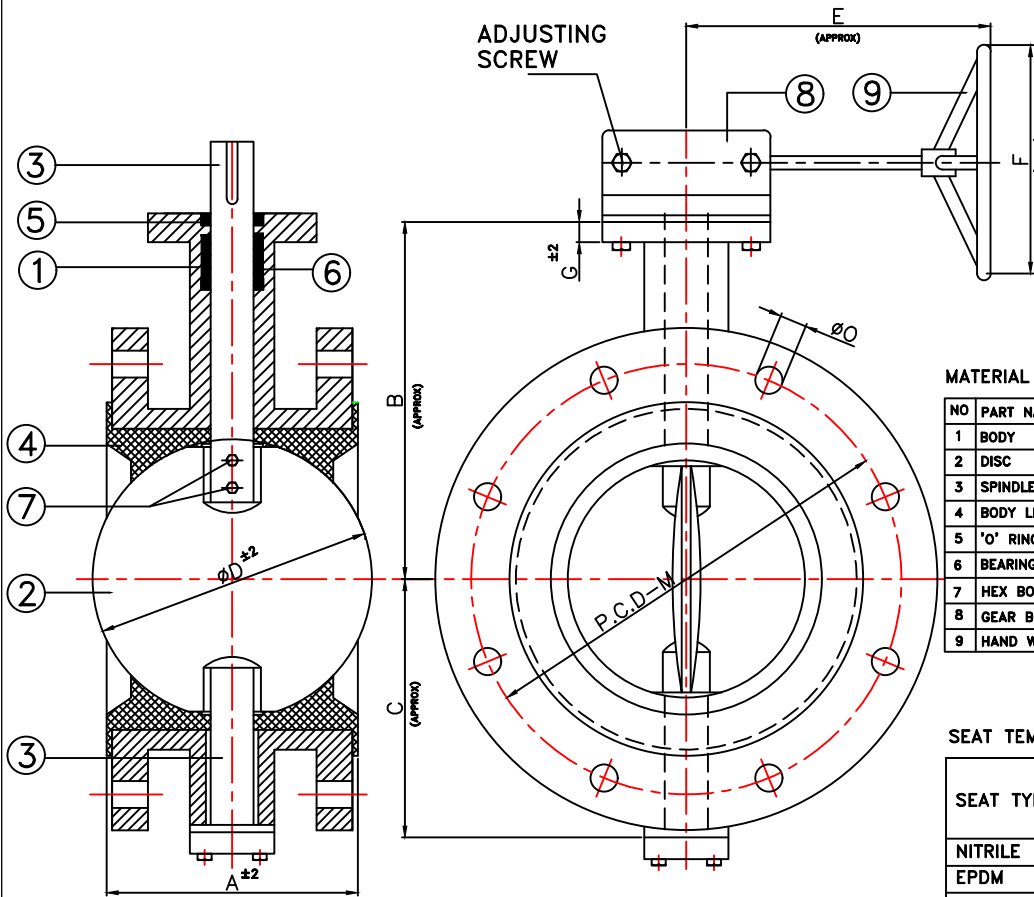
DRN
MASUM

DATE
10/06/2024



DOUBLE FLANGE CENTRIC DISC
TYPE BUTTER FLY VALVE.

DRG. NO : SE/DF-BFV/GO/200-600



MATERIAL OF CONSTRUCTION

NO	PART NAME	MATERIAL
1	BODY	CI/SGI/WCB/CF8/CF8M/CF3/CF3M
2	DISC	CI/SGI/WCB/CF8/CF8M/CF3/CF3M
3	SPINDLE	SS 410/304/316/304L/316L
4	BODY LINING	NITRILE/E.P.D.M./SILICON/VITON/HYPALON
5	'O' RING	NITRILE / E.P.D.M.
6	BEARING BUSH	PTFE
7	HEX BOLT	S.S.304/316
8	GEAR BOX	CAST IRON
9	HAND WHEEL	M.S. FABRICATED

SEAT TEMPERATURE RANGE

SEAT TYPE	TEMPERATURE RANGE	
	Min.	Max.
NITRILE	-13°F(-25°C)	212°F(100°C)
EPDM	-13°F(-25°C)	250°F(120°C)
SILICON	-58°F(-50°C)	356°F(180°C)
VITON	-23°F(-5°C)	392°F(200°C)
HYPALON	-4°F(-20°C)	250°F(120°C)

TESTING

PRESSURE RATING	HYDROSTATIC SHELL TEST		HYDROSTATIC SEAT TEST	
	Kg/CM2	PSI	Kg/CM2	PSI
PN16	22	310	16	225
PN10	15	210	10	140

NOTE : ALL DIMENSION ARE IN MM.

N = NUMBER OF HOLES.

SIZE		A	B	C	D	E	F	G	TOP FLANGE MOUNTING (I.S.O 5211)	M	N	O
MM	INCH											
200	8"	152	250	175	199	285	300	15	F07	298.5	8	22
250	10"	165	285	208	249	285	350	18	F10	362	12	25
300	12"	178	310	227	299	285	350	18	F10	431.8	12	25
350	14"	190	340	275	348	300	350	22	F12	476.3	12	28
400	16"	216	376	308	394	305	500	22	F14	539.8	16	28
450	18"	222	390	373	433	305	500	24	F14	577.9	16	32
500	20"	229	425	408	481	370	500	26	F16	635	20	32
600	24"	267	500	464	583	350	600	26	F16	749.3	20	35

CONFORMITY TO CODES & STANDARDS

- 1) GENERAL DESIGN & MANUFACTURE :- BS 5155 / IS 13095
- 2) VALVE FACE TO FACE DIMENSION :- BS 5155 / IS 13095
- 3) TOP FLANGE DRILLING :- ISO 5211
- 4) VALVE INSPECTION & TESTING :- BS 6755 Part - I / API 598
- 5) FLANGE STANDARD CONFORMITY :- ANSI 150 / ANSI 125

THIS DRAWING IS PROPERTY OF SHREENATH ENGINEERING.
SHREENATH ENGINEERING RESERVES RIGHTS OF USE, CHANGE & MODIFY PRODUCT DESIGN OR PRODUCT WITHOUT PRIOR NOTICE.

CHECKED :-

APPROVED :-